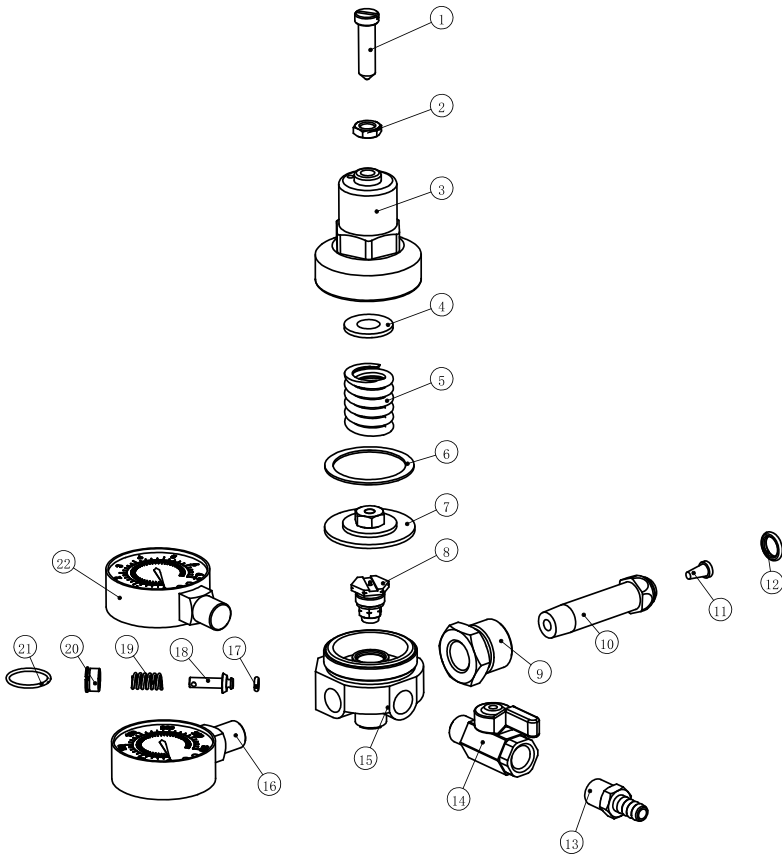


NOTES:

1. INLET: CGA580 N2 NUT
2. OUTLET: 5/16" BARB WITH BALL CHECK AND SHUTOFF
3. GAUGE: 160PSI REG. GAUGE
4500PSI TANK GAUGE

Parts:



NO.	Model	Item	QTY
1	KLF08-01-09-0	Adjusting screw	1
2	KLF08-01-40	Nyloc Nut	1
3	KLF08-01-02-4	Bonnet	1
4	KLF08-01-06	Button-Spring Retainer	1
5	KLF08-01-05-12	Button-Spring	1
6	KLF08-01-04	Fiber Washer	1
7	KLF08-01-08	Diaphragm Assembly	1
8	KLF05-01-27	Trim Assembly	1
9	KLF05-01-32-1	Chrome CO2 Nut	1
10	KLF05-01-30A-1	CO2 Inlet Stem	1
11	KLF03-01-32	Inlet CO2 Filter	1
12	KLF05-01-06	Nylon Co2 inlet Seal	2
13	KLF05-01-17F-1	Barb	1
14	KLF03-07-09-3	Gas Shut Off	1
15	KLF08-01-01-1	Body	1
16	DZ08-54-02	High pressure gauge	1
17	KLF05-01-02	O ring	1
18	KLF05-01-23-1	REV lever	1
19	KLF03-01-30A-0	REV spring	1
20	KLF05-01-04D-1	REV screw	1
21	KLF03-01-12	REV ring	1
22	DZ08-54-06	Low pressure gauge	1