

## STANDARD FEATURES

### HEAVY DUTY CONSTRUCTION

Top is made of solid 18" gauge stainless steel for easy cleaning. Wear resistant black vinyl exterior, and galvanized interior with durable stainless steel floor, and coved corners.

### FIELD INTERCHAGEABLE DOORS

Solid to Glass and Glass to Solid based on operator's needs.

### DUAL PANE THERMAL GLASS IN "G" MODELS

90° Stay open door feature and interior fluorescent light underneath the mullion.

### MAGNETIC GASKETS

Black aluminum frame, merchandise your product with greater visibility.

### ENHANCED REFRIGERATION SYSTEM

Factory engineered oversized and balanced refrigeration system. CFC free R-134a refrigerators maintain temperature between 33°F to 38°F, keeping beers ice cold.

### LEFT SIDE MOUNT COMPRESSOR & FRONT BREATHING

System allows easy service and unrestricted placement for the unit even in narrow spaces.

### ANALOG THERMOSTAT

### STAY OPEN DOORS WITH LOCKS AND LIGHT

90° Stay open door feature and fluorescent light underneath the mullion.

### ADJUSTABLE, COATED WIRE SHELVES

Creating three levels to fit tall boy beers.

### OPEN CAVITY

Evaporator located on left side above compressor providing open cavity and more working room.

### MAGNETIC GASKET

Built of one piece, the gaskets are removable without tools for ease of cleaning and replacement.



ABBC-58(G)



ABBC-94

## OPTIONS & ACCESSORIES

Additional flat or bottle rail shelves / 3" Casters / 6" Adjustable stainless steel legs / 220v-50Hz-1Phase



### SOLID DOOR

ABBC-58	2	852	4	2.5	1/3	115/60/1	5-15P	8'	59 1/2"	28"	37"	343	51
ABBC-68	2	1,014	4	6.6	1/3	115/60/1	5-15P	8'	69 1/2"	28"	37"	370	59
ABBC-94	3	1,302	6	6.6	1/3	115/60/1	5-15P	8'	95 1/2"	28"	37"	429	81

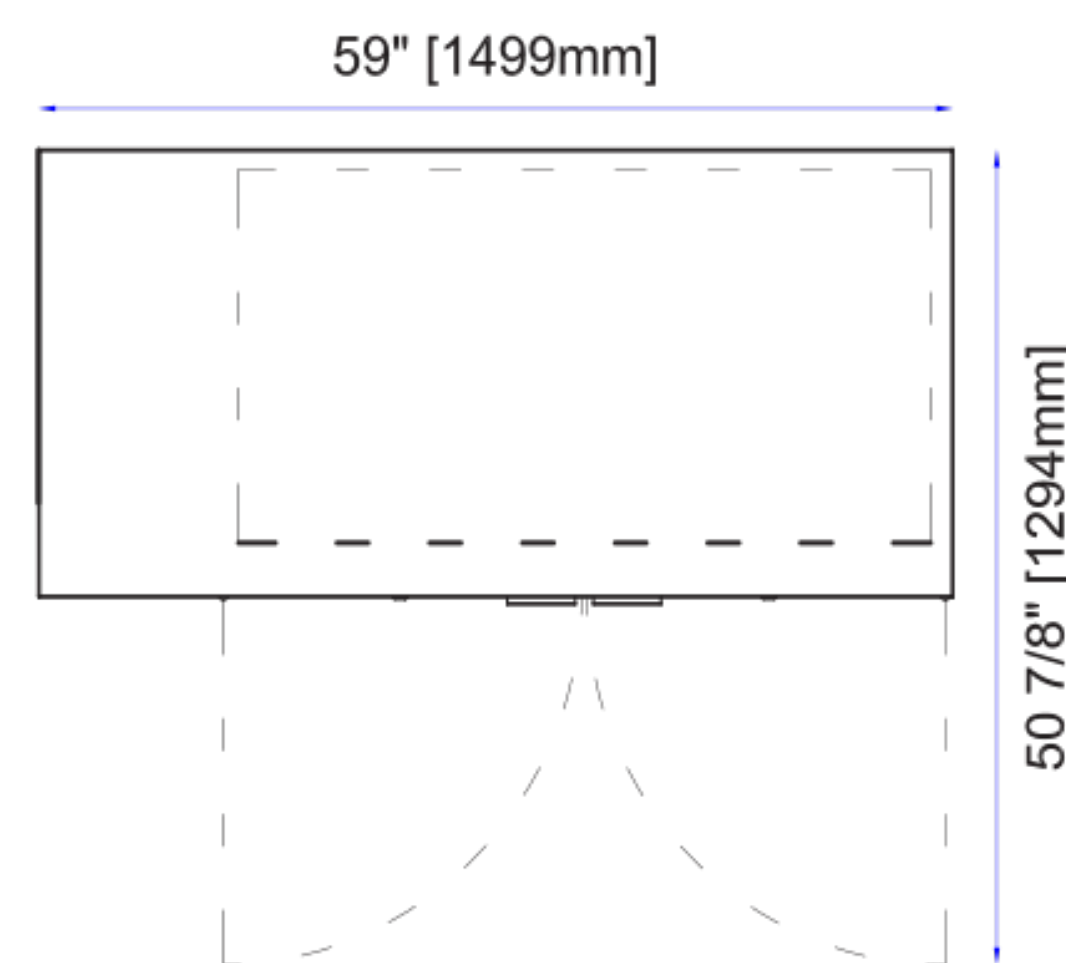
### SOLID DOOR

ABBC-58(G)	2	852	4	2.5	1/3	115/60/1	5-15P	8'	59 1/2"	28"	37"	343	51
ABBC-68(G)	2	1,014	4	6.6	1/3	115/60/1	5-15P	8'	69 1/2"	28"	37"	370	59
ABBC-94(G)	3	1,302	6	6.6	1/3	115/60/1	5-15P	8'	95 1/2"	28"	37"	429	81

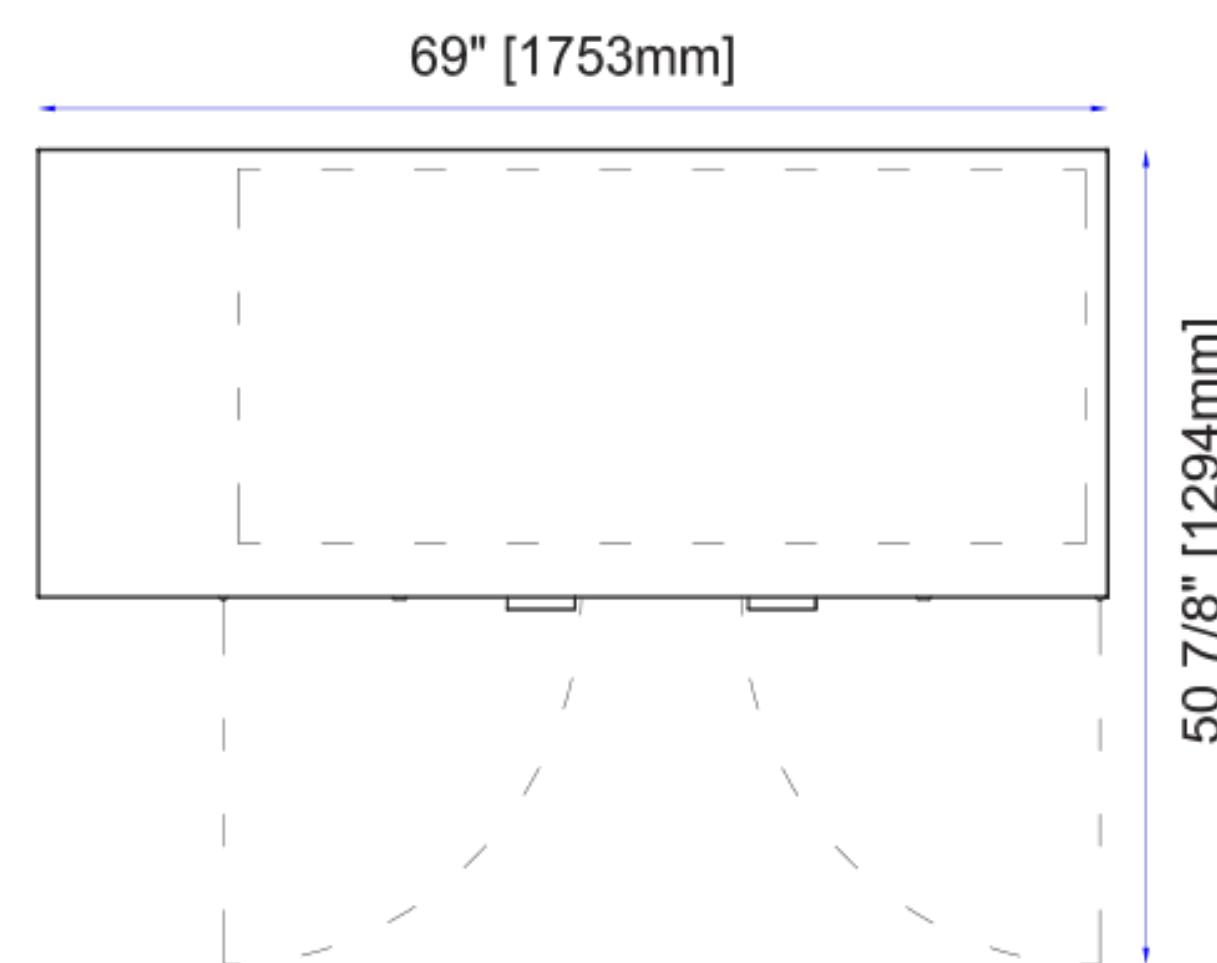


## PLAN VIEW

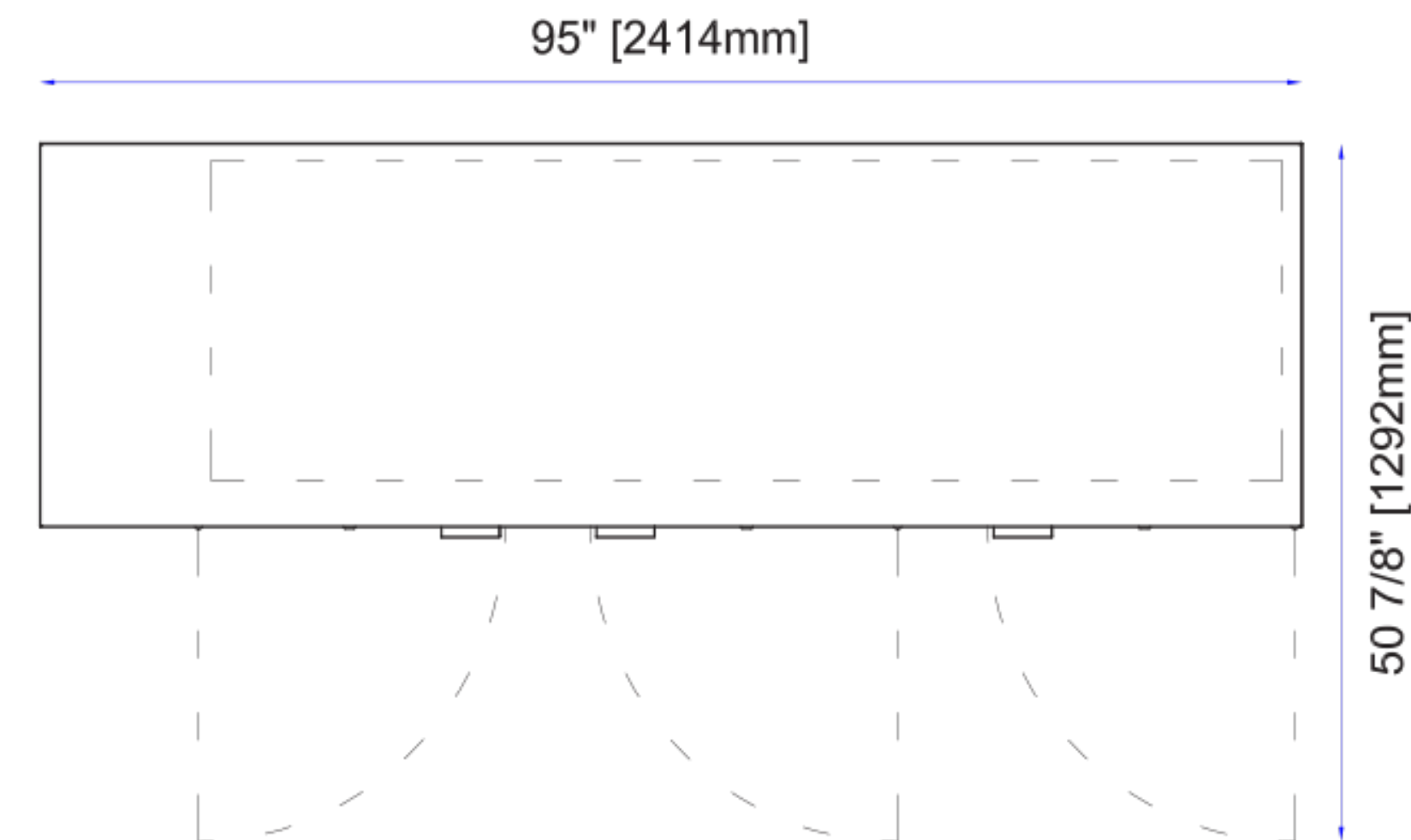
ABBC-58(G) Front



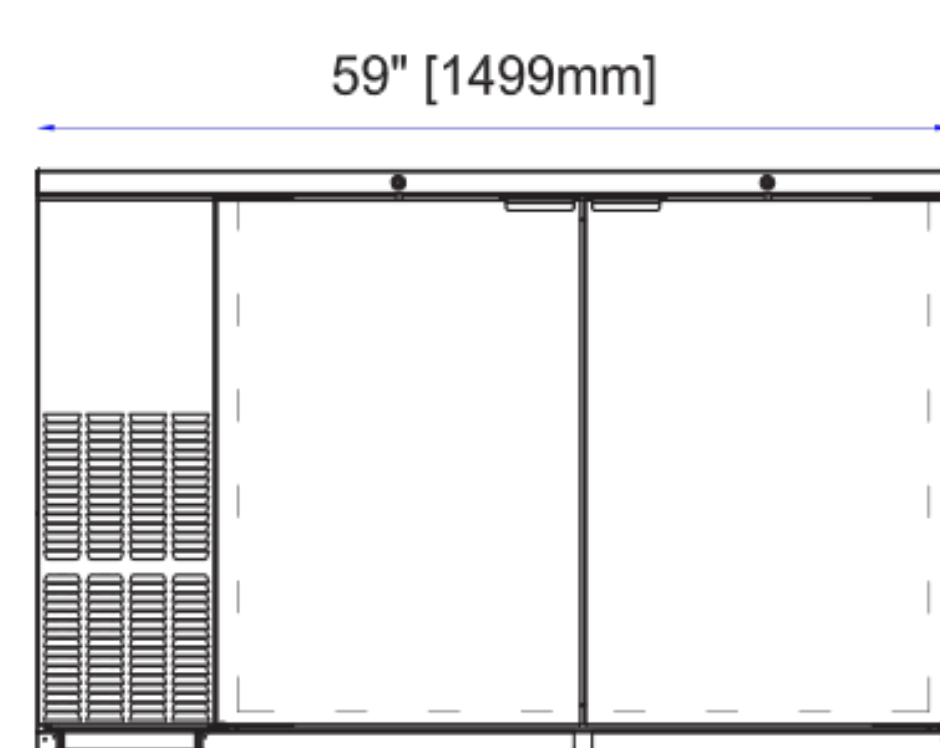
ABBC-68(G) Front



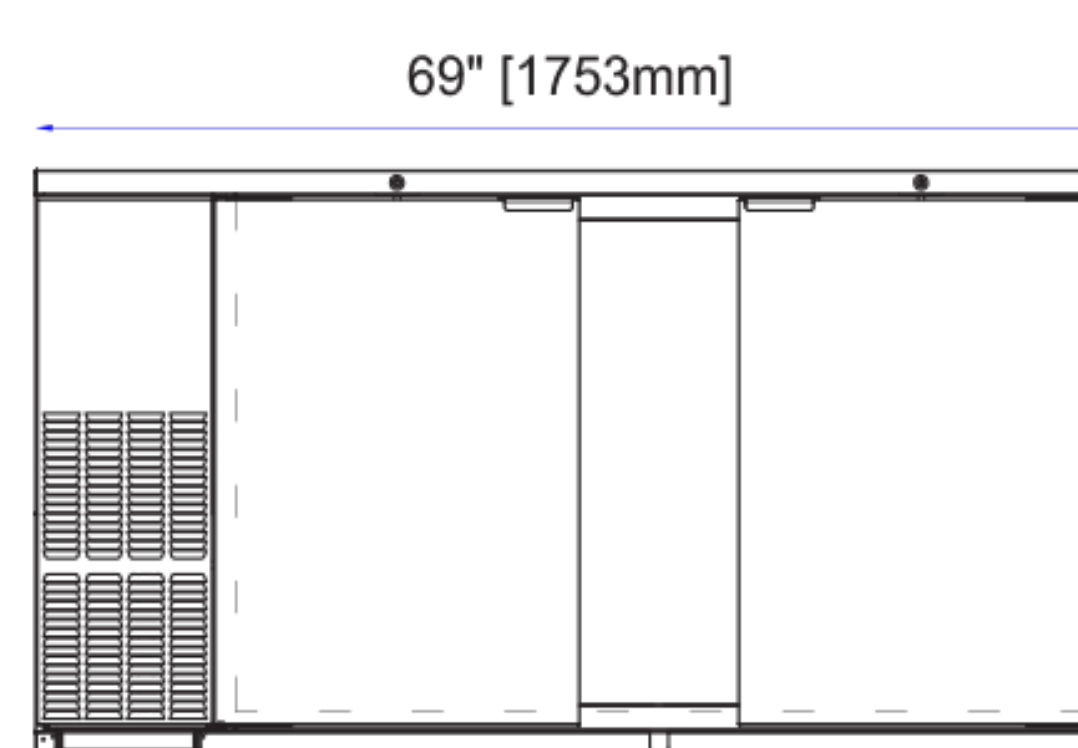
ABBC-94(G) Front



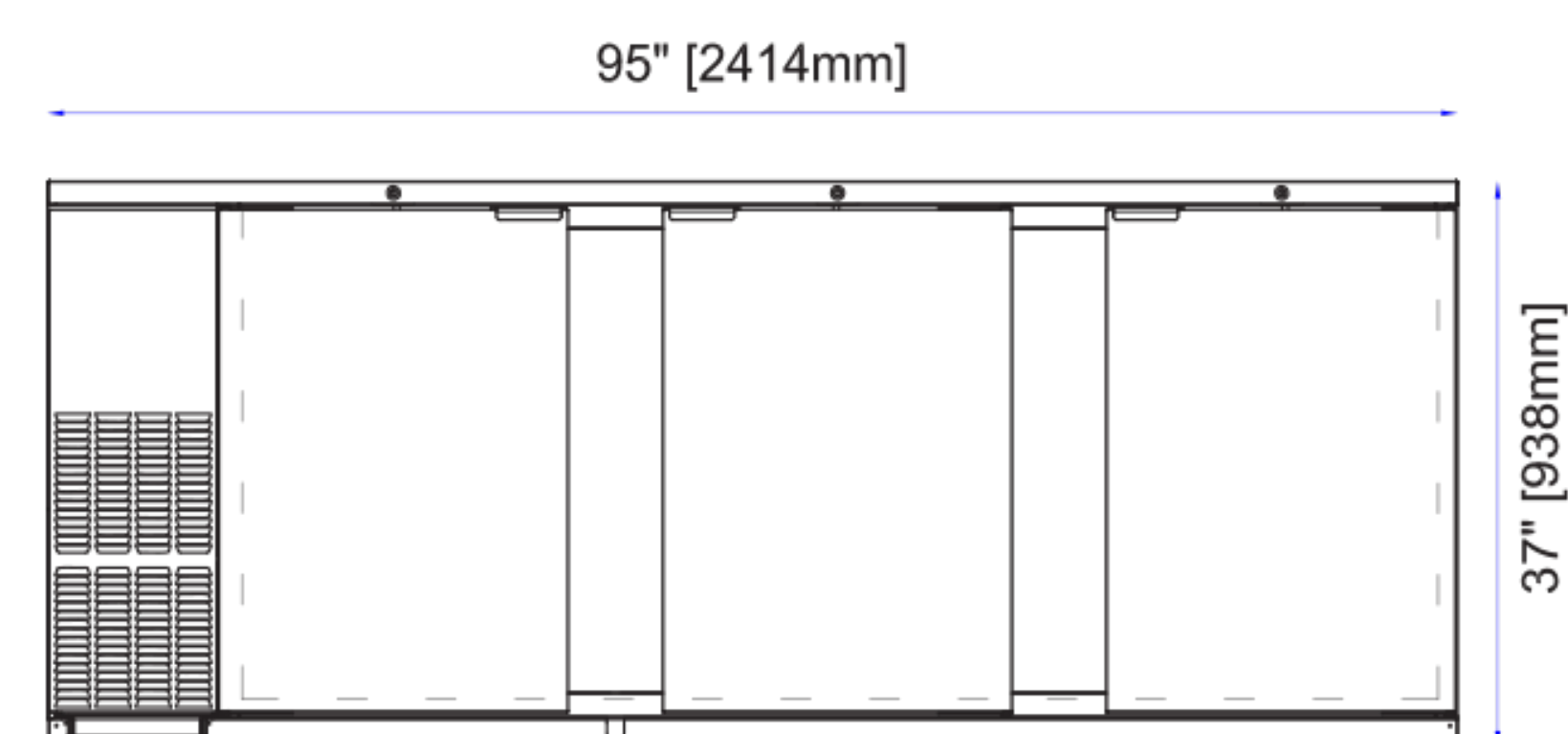
ABBC-58(G) Top



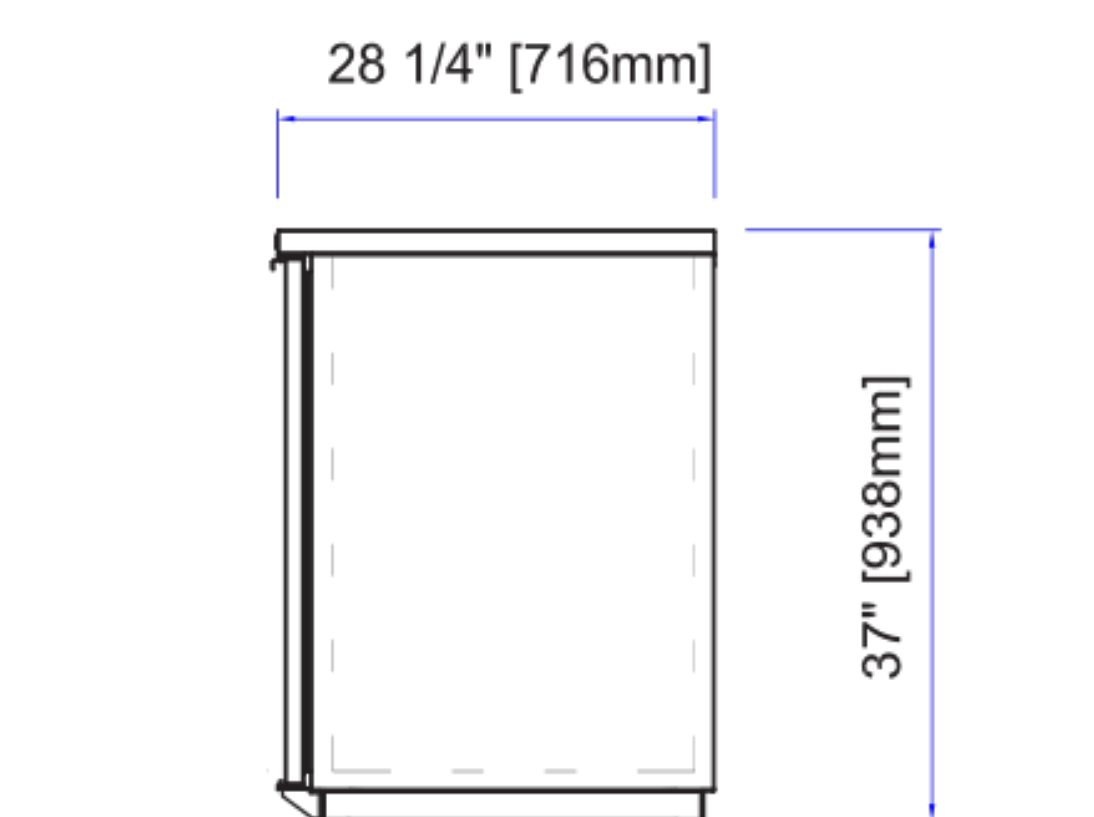
ABBC-68(G) Top



ABBC-94(G) Top



ABBC Common View



## SPECIFICATIONS

### CONSTRUCTION

- Stainless steel 18 gauge top and stylish black vinyl finish front, sides and back. Interior built is galvanized steel walls with covered corner stainless steel floor. Interior Fluorescent light.
- The entire cabinet has a 1-1/2" CFC-free, polyurethane insulation foamed-in-place.

### REFRIGERATION SYSTEM

- Oversized and balanced refrigeration system.
- Self-contained capillary tube system using environmentally-friendly and CFC-free refrigerant. R-134a holding temperature at 33°F to 38°F refrigerators.
- Front breathing/side mount compressor for ease of service and placement in narrow spaces. Condensing unit is behind the front grill, slides out for easy cleaning and maintenance.

### ELECTRICAL

- The whole unit is completely pre-wired at factory with cord and plug set included and ready for final connection to a 115/60/1 phase.
- 220V/50Hz/1ph available from factory.

### DOORS & SHELVES

- Field interchangeable doors from Solid to Glass and glass to solid. With 90° stay open feature, light and locks standard. One piece magnetic gasket for easy cleaning.
- Dual pane glass doors in "G" models with black aluminum frame.
- Forced air cooling system for faster cooling and constant temperature in the cabinet.
- Large fan motor and fan blades for better air circulation.
- Self contained system, no plumbing necessary.
- Analog thermostat.

### WARRANTY

Continental USA & Canada:

- One year:** Labor and parts warranty.
- Five year:** Compressor warranty.
- International:** One year parts only.