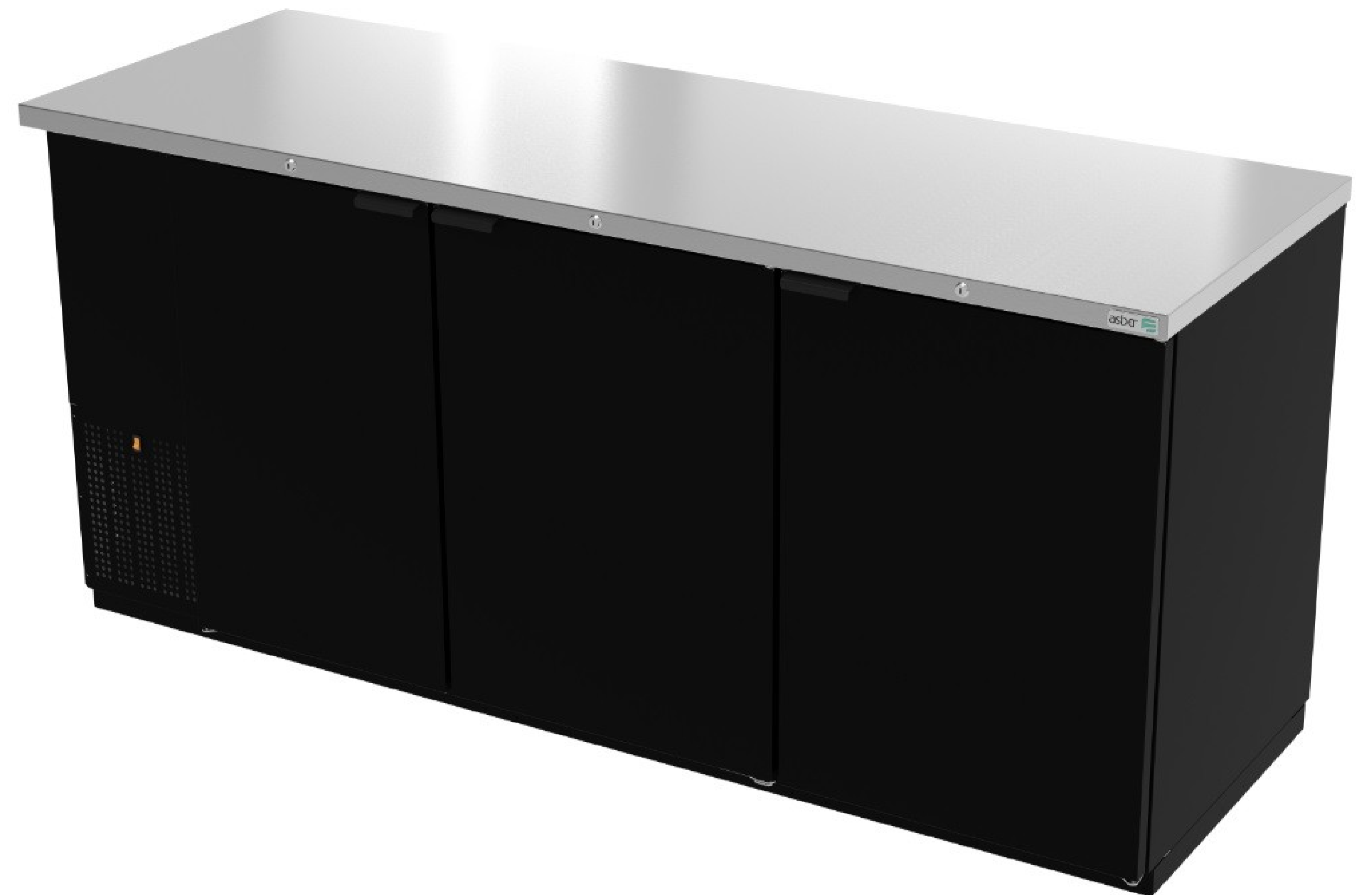


STANDARD FEATURES

- HEAVY DUTY CONSTRUCTION
- TOP MADE OF SOLID 18" GAUGE STAINLESS STEEL
- RESISTANT BLACK VINYL EXTERIOR AND GALVANIZED INTERIOR WITH COVERED CORNERS.
- ADJUSTABLE, COATED WIRE SHELVES.
- SIDE MOUNTED COMPRESSOR WITH SERVICE FRIENDLY SLIDE OUT RAIL SYSTEM.
- OVERSIZED AND BALANCED REFRIGERATION SYSTEM, R-134A, 33° TO 38°F.
- ANALOG THERMOSTAT.
- HIGH DENSITY ECOMATE® CFC-FREE POLYURETHANE INSULATION.
- STAY OPEN DOORS WITH LOCKS AND FLUORESCENT LIGHT.
- MAGNETIC ONE PIECE DOOR GASKETS, REMOVABLE WITHOUT TOOLS.
- GREATER USABLE INTERIOR CAPACITY: EVAPORATOR LOCATED ON LEFT SIDE ABOVE COMPRESSOR PROVIDING GREATER WORKING INTERIOR CAPACITY (23-1/4" DEPTH X 32-1/2" HEIGHT)



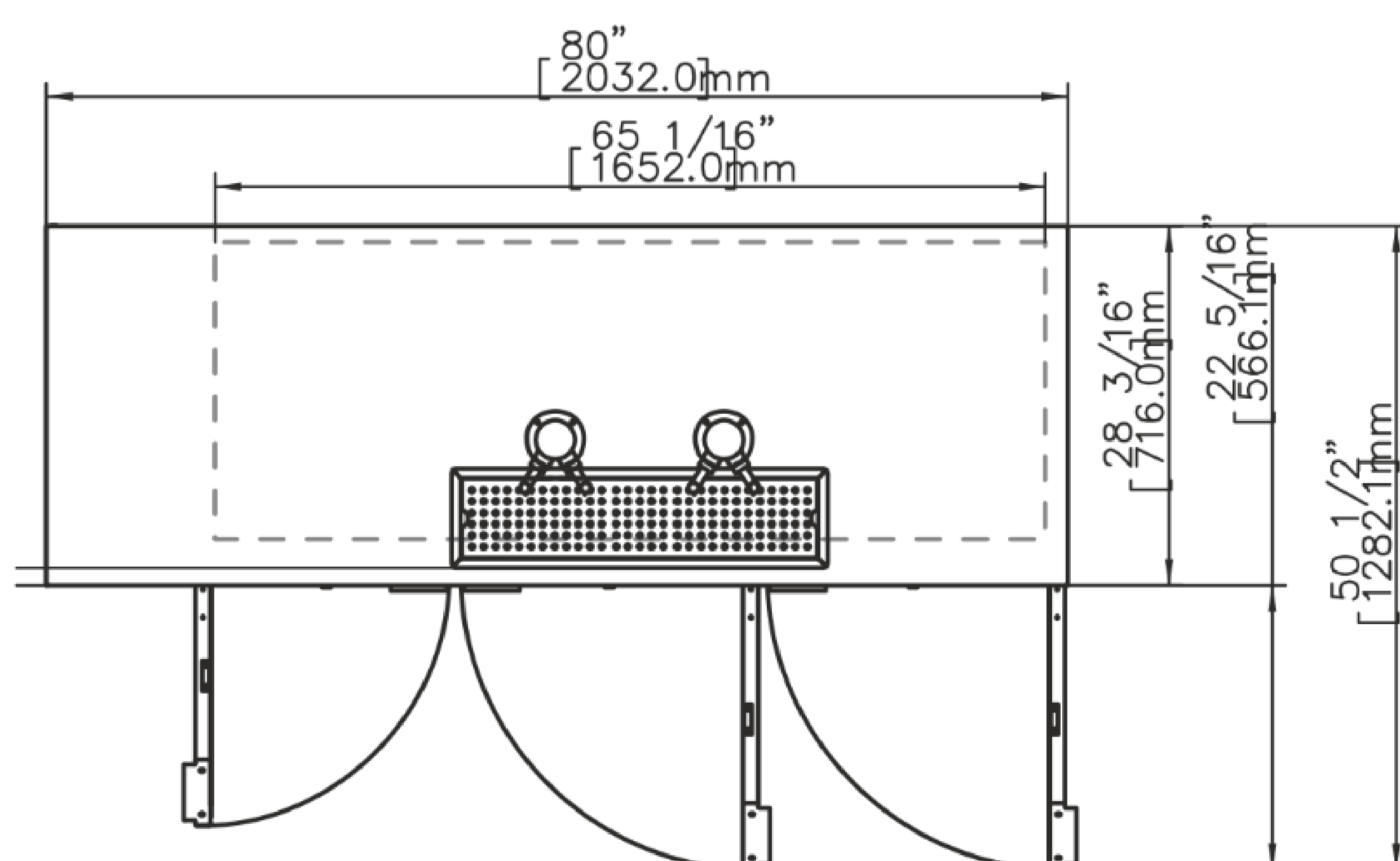
OPTIONS & ACCESSORIES

3" Rails Casters / 6" Adjustable stainless steel legs
Additional shelves/ 220V-50Hz-1Phase



MODEL	DOORS	TOWERS.	TAPS	KEGS	AMPS	HP	VOLTAGE	NEMA PLUG	CABINET DIMENSIONS			SHIPPING WT.
									L	D	H	
ADDC-78	3	2	4	4	6.9	1/3	115/60/1	5-15P	80"	28"	36 ^{3/4} "	165

Top View



Front View

