

STANDARD FEATURES

As bar layouts are becoming increasingly smaller, refrigeration airflow is crucial to the success and operation of your unit. All bar Refrigerators are fully front breathing enabling them to be placed in the most compact environments for a seamless fit. Complete side-mount refrigeration system allows for full access to your products without the impedence of a roof mount evaporator giving you a worry-free operating environment.

Black vinyl is the preferred finish for Bar Equipment as its more durable and doesn't chip versus a painted finish. Bar Refrigerators come with a chip resistant black vinyl exterior finish front, sides and back. Interior walls with NSF approved white coated steel finish to enhance its merchantability, easy to clean with a sturdy stainless-steel floor. Always one step above to ensure the upmost in safety and sanitation for your establishment.

Insulation in any Refrigerator is one of the most important factors for thermal efficiency. We only uses the world's leader Ecomate (GWP) (ODP) insulation, 2" thick for the highest R value efficiency for your environments.

With innovative and eco-friendly technology, utilize R-290 Hydrocarbon designed to meet DOE's Energy Conservation standards with very low contribution to global warming (ODP-0) (GWP-3).

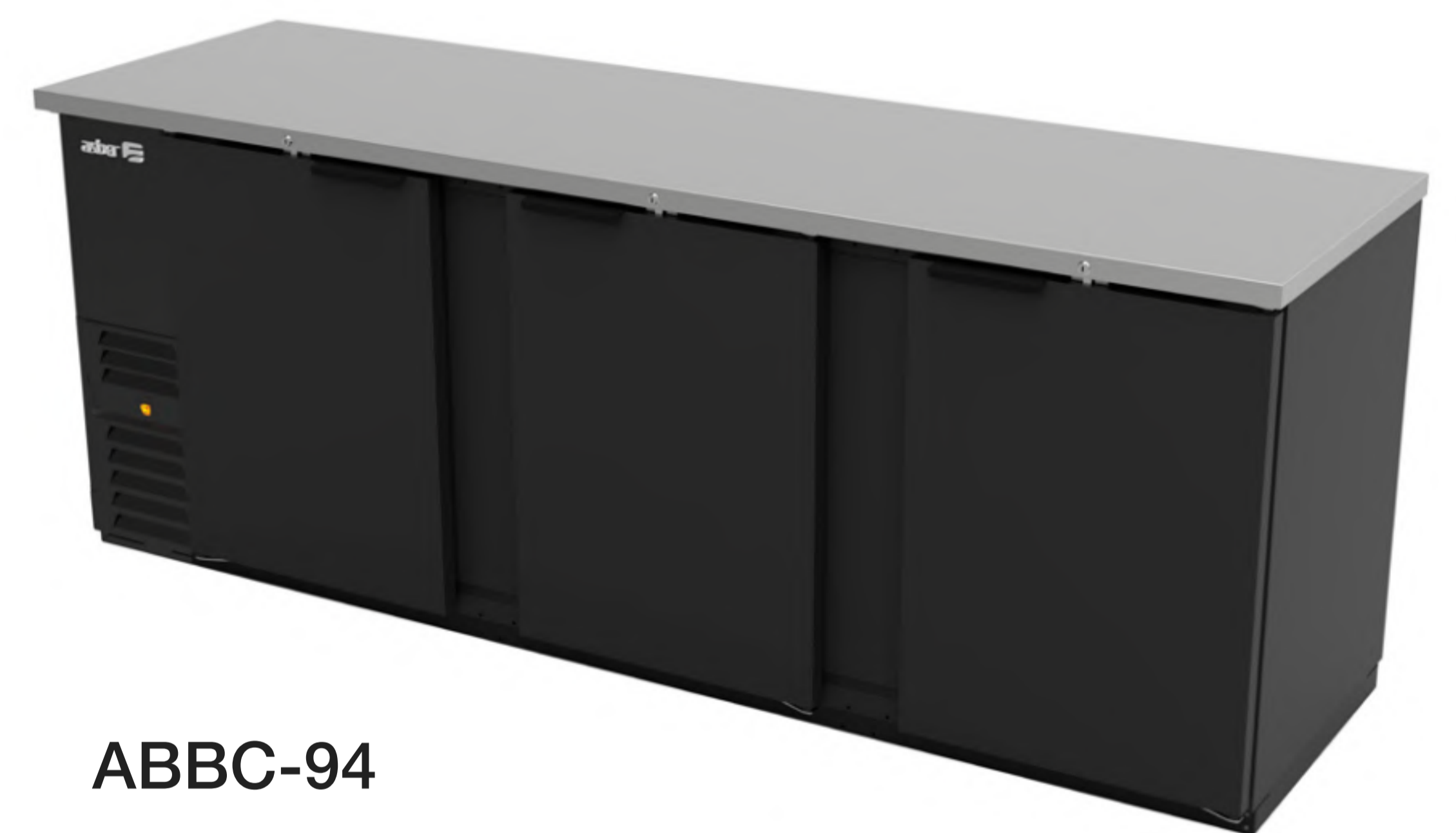
LED interior lights offer shadow-free illumination, which lasts up to 10 times longer than fluorescent lights to enhance product display.

Double pane, hinged GLASS DOOR REFRIGERATORS with argon gas insulation for enhance energy efficiency. Prevents heat transfers, minimizes condensation and provides a frost-free viewing environment.

ADDITIONAL FEATURES TO INCLUDE:

- Hermetic compressors with epoxy coated evaporator
- Automatic evaporator: Paper fins not utilized in the evaporation process.
- Electronic controller.
- LED interior lights.
- Temperature: Refrigerators 32 °F to 38 °F based on an external environment of 90 °F and 65% RH.
- Door locks with universal key.
- Meets the NSF-7 standard for food safety.


ABBC-58(G)

ABBC-58(G)

ABBC-94

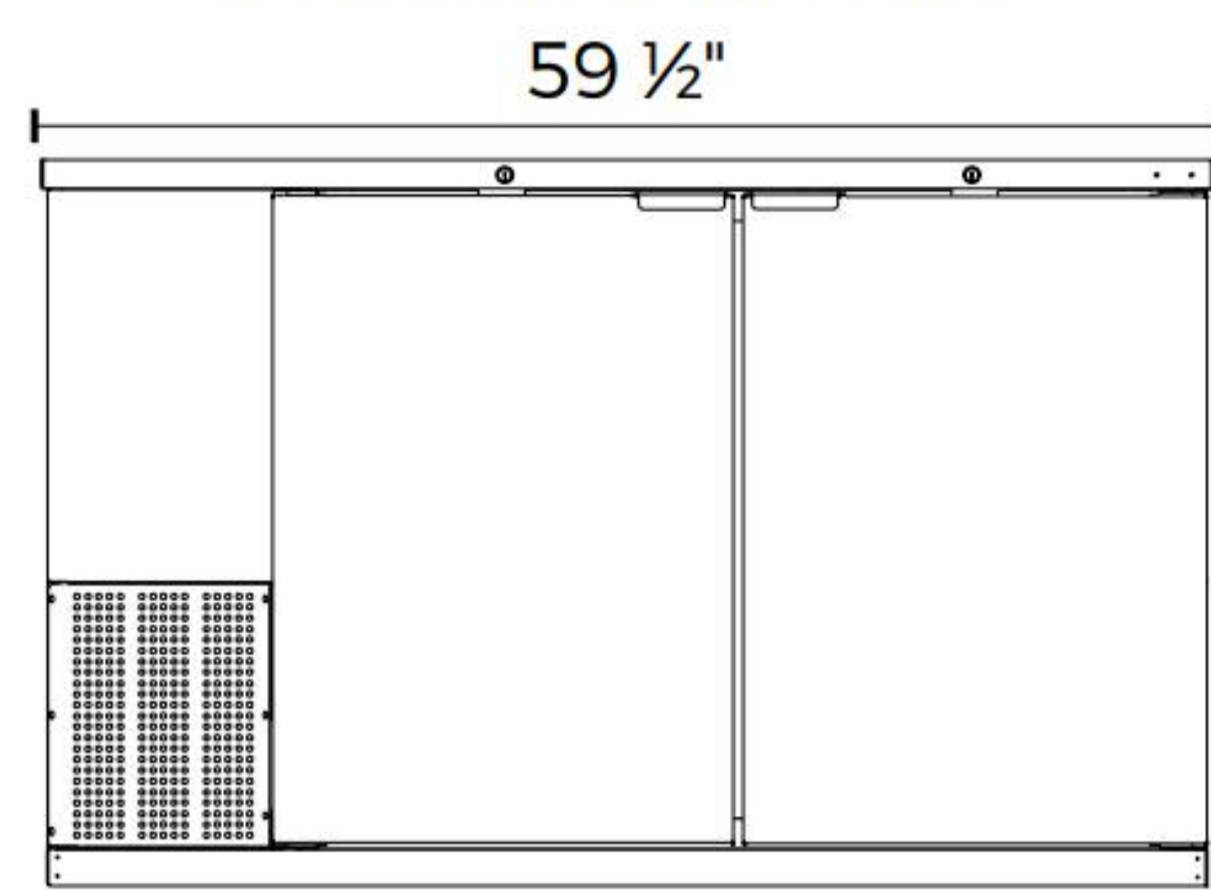
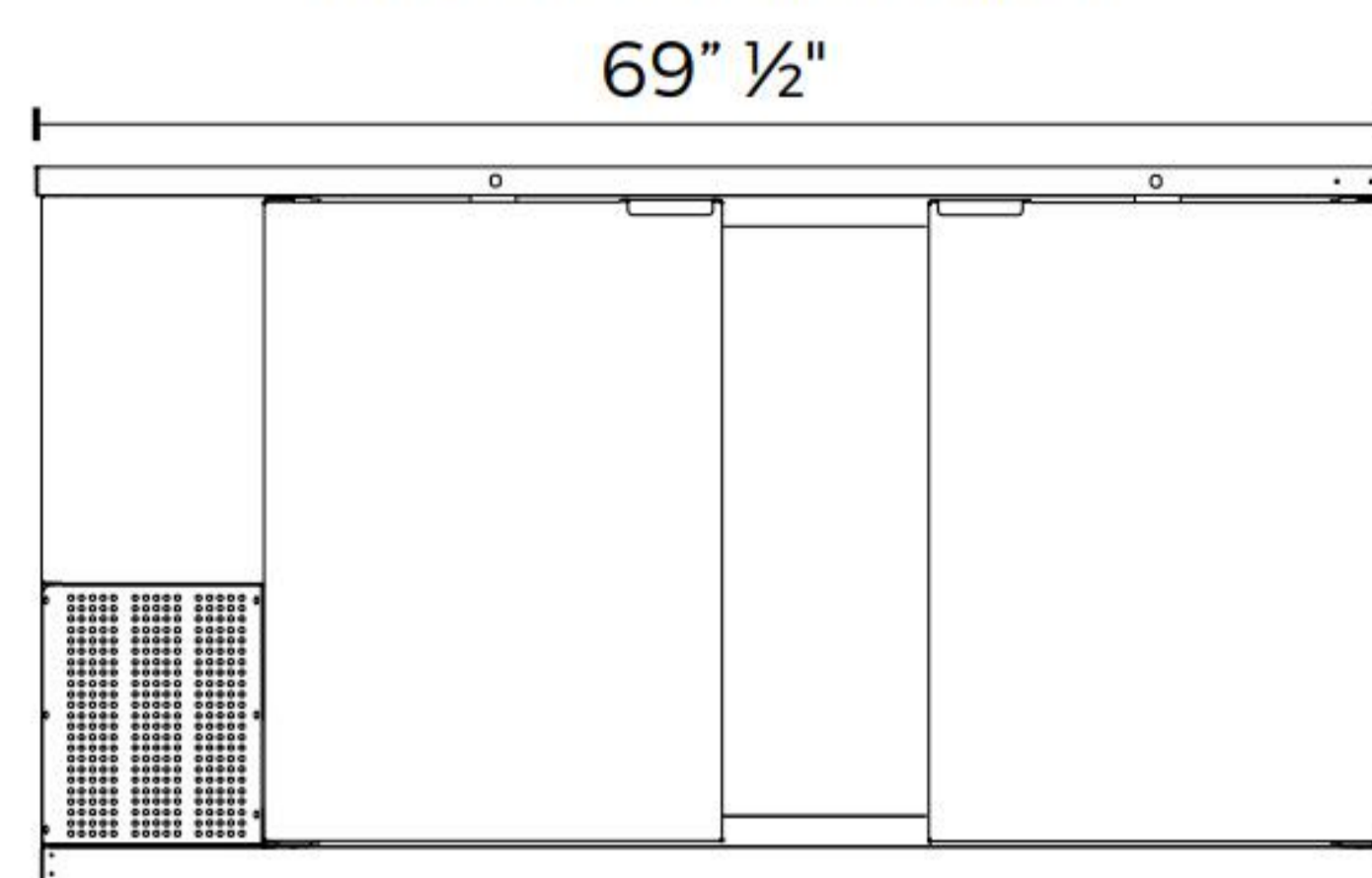
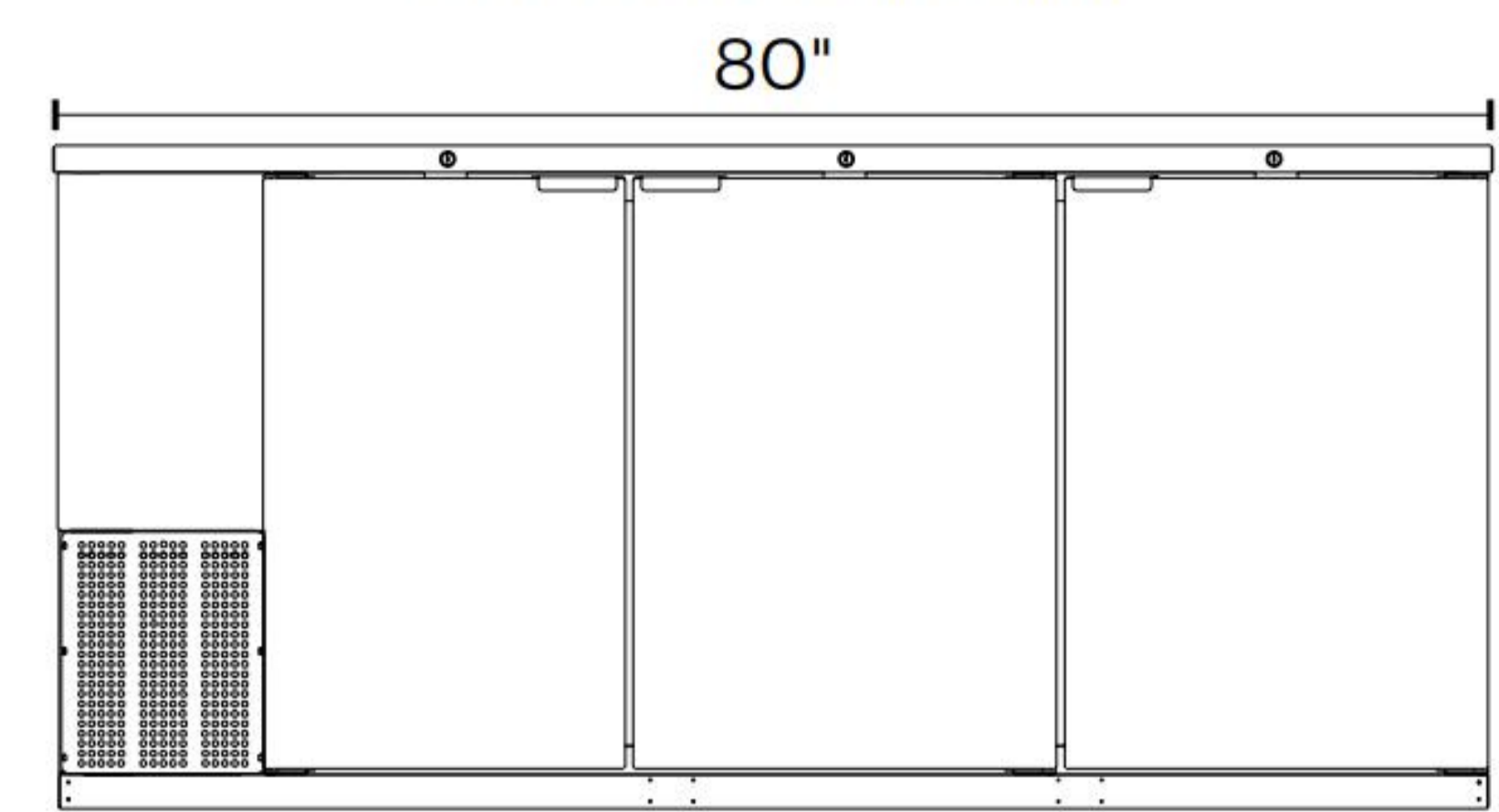
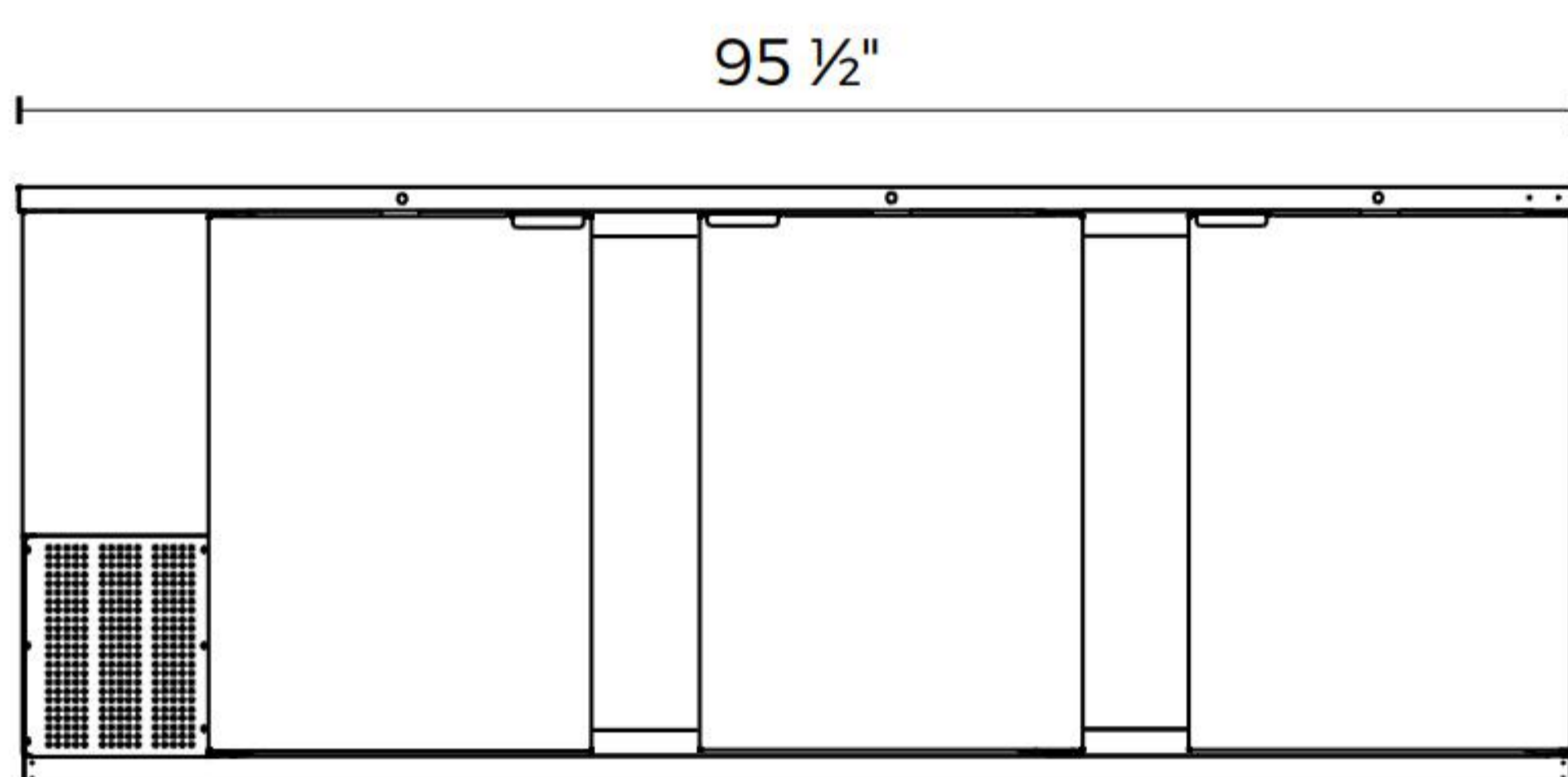
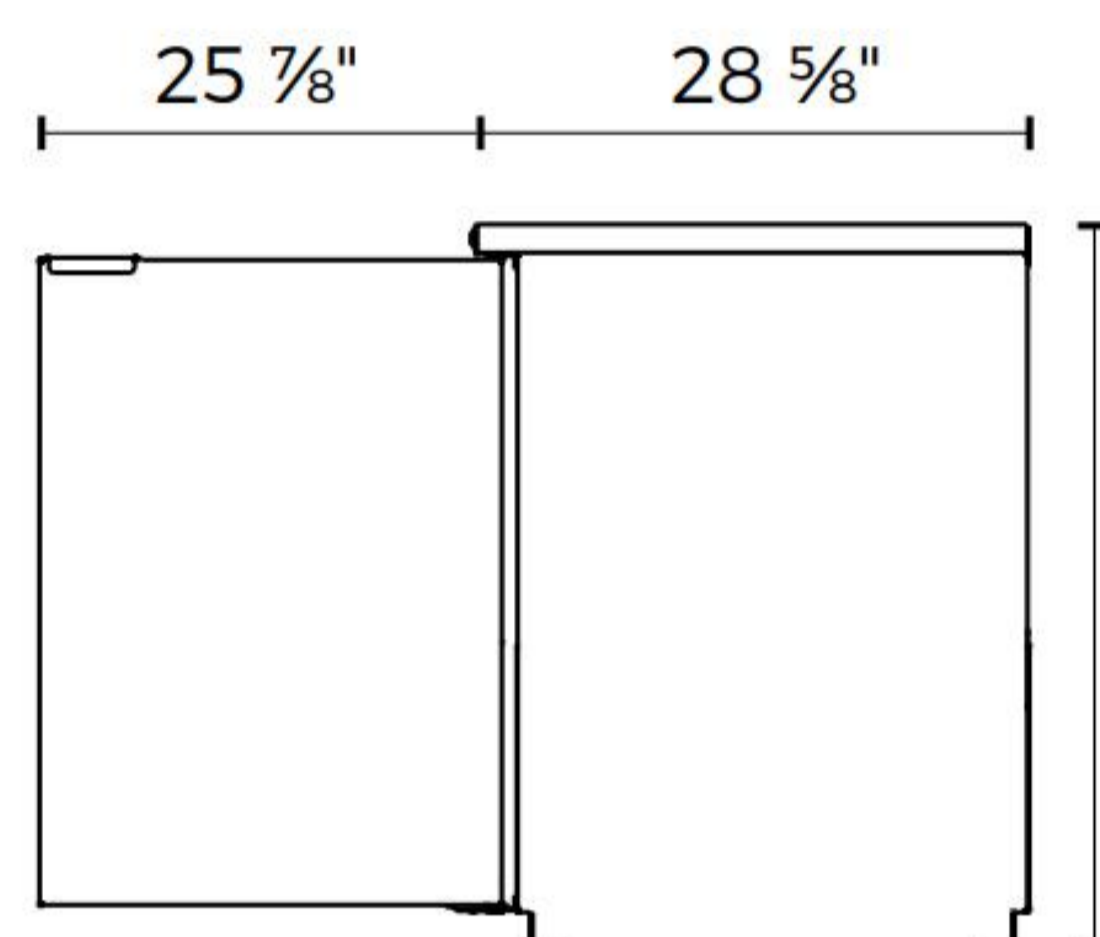
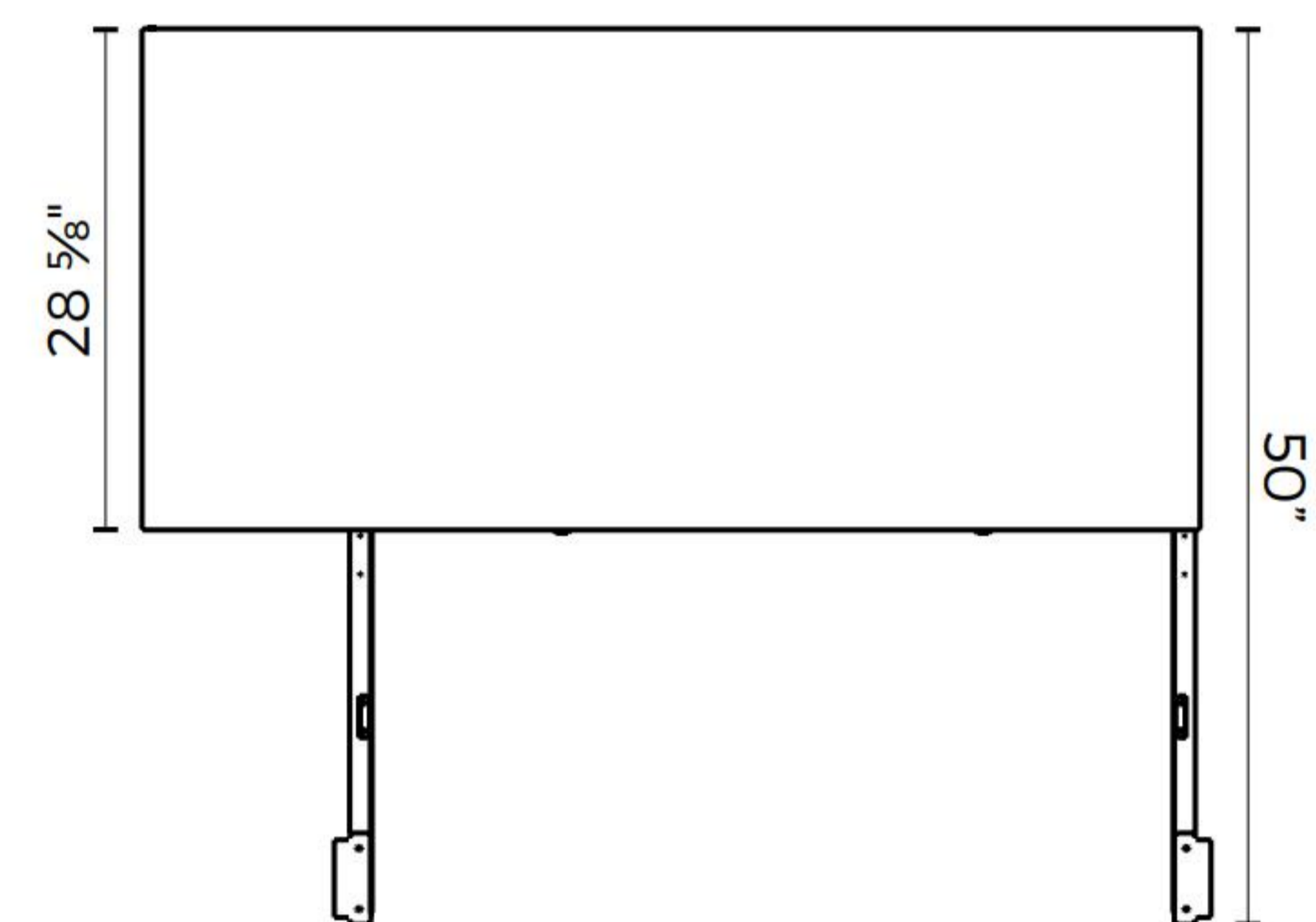
OPTIONS & ACCESSORIES

- Additional 2nd year warranty.
- Low profile castor rails (increase overall height by 2-1/2").
- Additional epoxy coated shelves.
- Voltage: 220V. - I - 50Hz.
- 6" adjustable stainless-steel legs.

| | MODEL | DOORS | SHELVES | CAPACITY (12 oz. can) | AMPS | HP | VOLTS | DIMENSIONS | | | SHIPPING WEIGHT LBS |
|-------------|------------|-------|---------|--------------------------|------|-----|--------|------------|---------|---------|------------------------|
| | | | | | | | | Width | Depth | Height* | |
| SOLID DOORS | ABBC-58 | 2 | 4 | 640 | 3.0 | 1/3 | 115/60 | 59 1/2" | 28 5/8" | 36 7/8" | 285 |
| | ABBC-68 | 2 | 4 | 800 | 3.0 | 1/3 | 115/60 | 69 1/2" | 28 5/8" | 36 7/8" | 310 |
| | ABBC-78 | 3 | 6 | 878 | 3.0 | 1/3 | 115/60 | 80" | 28 5/8" | 36 7/8" | 375 |
| | ABBC-94 | 3 | 6 | 1200 | 3.0 | 1/3 | 115/60 | 95 1/2" | 28 5/8" | 36 7/8" | 390 |
| GLASS DOOR | ABBC-58(G) | 2 | 4 | 640 | 3.0 | 1/3 | 115/60 | 59 1/2" | 28 5/8" | 36 7/8" | 305 |
| | ABBC-68(G) | 2 | 4 | 800 | 3.0 | 1/3 | 115/60 | 69 1/2" | 28 5/8" | 36 7/8" | 330 |
| | ABBC-78(G) | 3 | 6 | 878 | 3.0 | 1/3 | 115/60 | 80" | 28 5/8" | 36 7/8" | 429 |
| | ABBC-94(G) | 3 | 6 | 1200 | 3.0 | 1/3 | 115/60 | 95 1/2" | 28 5/8" | 36 7/8" | 465 |

*Specifications are subject to change without prior notice.

PLAN VIEW

ABBC-58 FRONT

ABBC-68 FRONT

ABBC-78 FRONT

ABBC-94 FRONT

COMMON SIDE VIEW

COMMON TOP VIEW


| ELECTRICAL DATA | 58" | | 68" | | 78" | | 94" | |
|------------------------|-------------------|-------|-------------------|-------|---|-------|-------------------|-------|
| | Solid | Glass | Solid | Glass | Solid | Glass | Solid | Glass |
| Voltage | 115/60 | | | | | | | |
| Plug Type | Nema 5-15P | | | | | | | |
| Full Amp. Loads | 3.0 | | | | | | | |
| Compressor HP | 1/3 | | | | | | | |
| Cord Length (ft) | 10 | | | | | | | |
| Refrigerant | R-290 | | | | | | | |
| DIMENSIONAL DATA | 58" | | 68" | | 78" | | 94" | |
| | Solid | Glass | Solid | Glass | Solid | Glass | Solid | Glass |
| # of Doors | 115/60 | | | | 115/60 | | | |
| Capacity (12 oz. can) | 640 | | 800 | | 878 | | 1200 | |
| Ext. Width Overall | 59 1/2" | | 69 1/2" | | 80" | | 95 1/2" | |
| Ext. Depth Overall | 28 5/8" | | | | | | | |
| Ext. Height Overall | 36 7/8" | | | | | | | |
| Int. Width Overall | 44 5/8" | | 54 5/8" | | 65" | | 80 1/2" | |
| Int. Depth Overall | 23 1/4" | | | | | | | |
| Int. Height Overall | 31 3/4" | | | | | | | |
| # of Shelves | 4 | | | | 6 | | | |
| Shelf Size (L x D) | 21 5/8" x 22 1/2" | | 26 5/8" x 22 1/2" | | 22 1/2" x 18 5/8" 22 1/2" x 21 5/4" 22 1/2" x 23 1/8" | | 22 1/4" x 25 5/8" | |
| Shipping Weight (lbs.) | 44 5/8" | | 54 5/8" | | 65" | | 80 1/2" | |

STANDARD FEATURES

- 2" Ecomate CFC Free foam in place insulation.
- Electronic controller with digital display.
- LED interior lights.
- Self-contained Refrigeration with epoxy coated evaporator.
- Door locks with universal key.
- Meets the NSF-7 standard for food safety.

OPTIONS & ACCESORIES

- Additional 2nd year warranty.
- Low profile castor rails (increase overall height by 2-1/2").
- Additional epoxy coated shelves.
- Voltage: 220V. – 1 – 50 hz.
- 6" adjustable stainless-steel legs.

WARRANTY

- 1-year parts & labor.
- 5-year compressor.

*RESIDENTIAL APPLICATIONS: Manufacturer assumes no liability for parts or labor coverage for component failure, factory defect or any other damages for units installed in non commercial foodservice or residential applications.

1. Height does not include 2.5" diameter castors (23" models).
2. Specifications are subject to change without prior notice.

Design and specifications are subject to change without prior notice.