

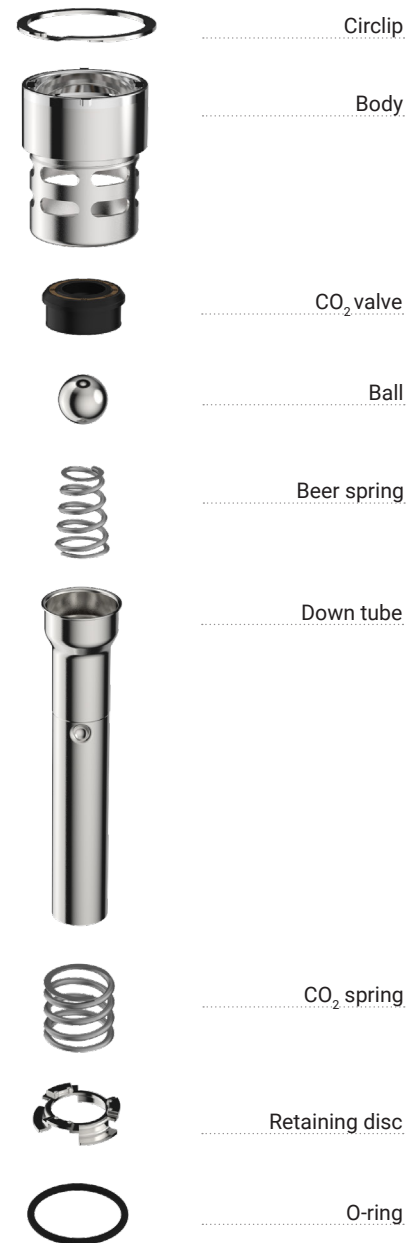
SPEARS

D-SYSTEM

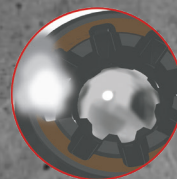
The Micro Matic D-system is a security well type design with double valve operation. The spear has been improved with a unique color and year coding for preventive maintenance and hygiene properties have been optimized. The safety has been optimized with a degassing function.



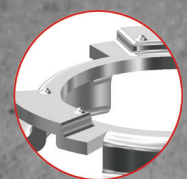
PARTS



HIGHLIGHTS



CO₂ valve
Optimized with a
degassing function



Retaining disc
Hygiene
optimization