
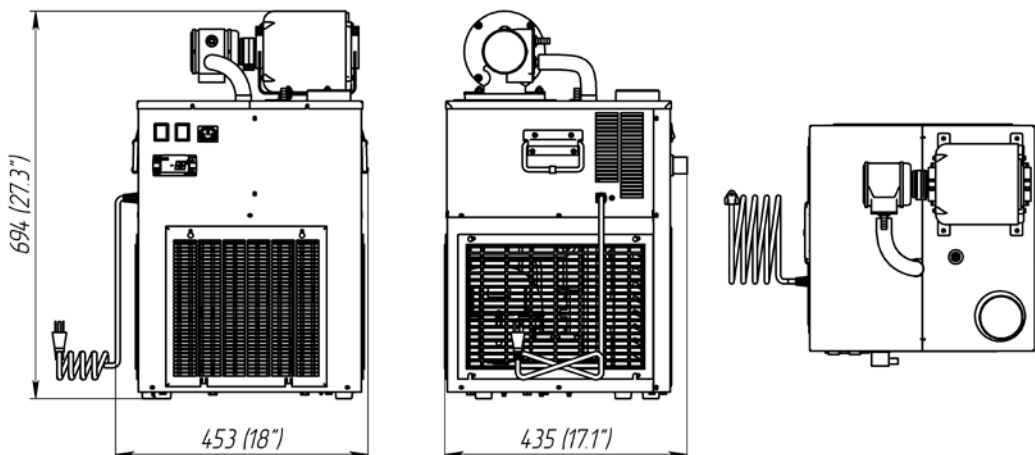


Specifications

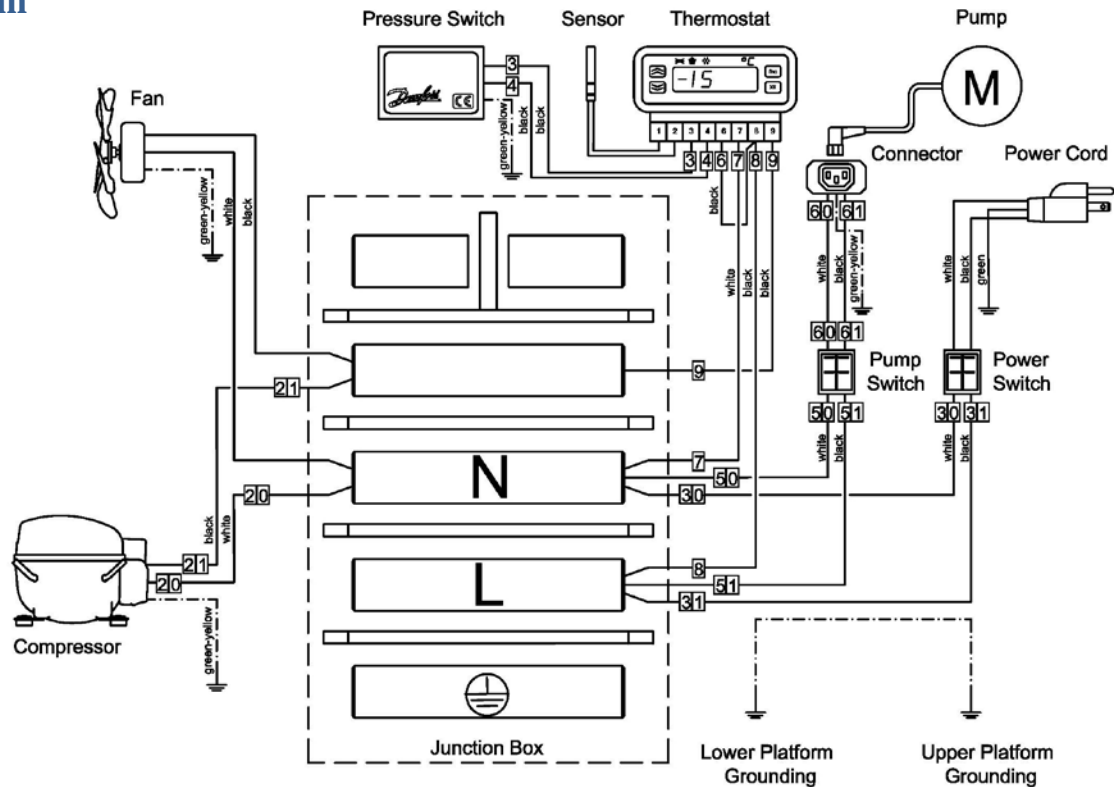


Internal number	141.00.000.00-XX
Part number	QP4000-1/2P
Maximum distance, ft	up to 200
Capacity, BTU/h, evap 20 °F	3500
Glycol tank capacity, gal	2
Compressor power, hp	1/2
Dedicated circuit, amp	20
Plug type (NEMA #)	5-20P 
Voltage, V / frequency, Hz	115 / 60
Pump type	Vane pump with 1/3 hp motor
Pump, GPH	80
Number of pre-installed pumps	1
Optional additional pump, GPH	80
Number of additional pumps	n/a
Refrigerant	R290
Width, in	18
Depth, in	17.1
Height, in	27.3
Weight gross/net, lb	121 / 115
Power cord length, ft	6
Inlet/Outlet barb, in	3/8
Operating ambient temperature, °F	60-90
Clearance at least	12" around the entire unit
Glycol mixture, vol%	40 % glycol and 60% water

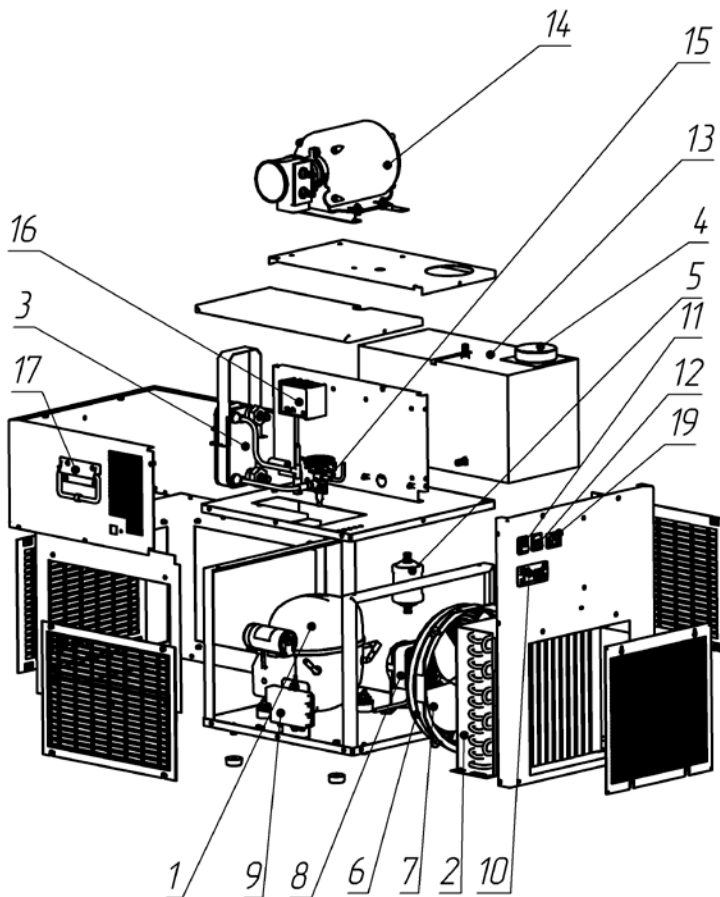
Overall dimensions



Wiring diagram



Parts



1	Compressor "EMBRACO" NEU 6214 U (115V 60HZ) or "SECOPI" NLE11MN CSIR (115-127V/60Hz)
2	Air condenser "KARYER" B-29460
3	Plate heat exchanger "DANFOSS" C12L-EZ-20
4	Closure
5	Hermetic receiver filter-drier "DANFOSS" DMC0432S
6	Plastic grid "KARYER"
7	Impeller Ø254 mm., $\alpha=28^\circ$
8	Electric motor "ELCO" NU 16-30-2/096 (115V 50/60Hz)
9	Junction box "ITW ELETTRIGIBI" PA104
10	Thermostat "DIXELL" XR02CX-4N0F1 (115 V/ 60Hz)
11	Power switch "ARCOLECTRIC" C6053ALBR (Red)
12	Power switch "ARCOLECTRIC" C6053ALBG (Green)
13	Glycol tank
14	Glycol pump «FLUID-O-TECH» PA 2501 or "PROCON" 102A080F11BA250, and motor "MARATHON" 5KH32FN5586MX (115V/60Hz) or "UBC" YU250-4G01 (100-120V/200-240V-50/60hz)
15	Thermostatic expansion valve "DANFOSS" TUBE R-290
16	Pressure switch "DANFOSS" KP-2
17	Handle
19	Connector R302SN 250V 10A