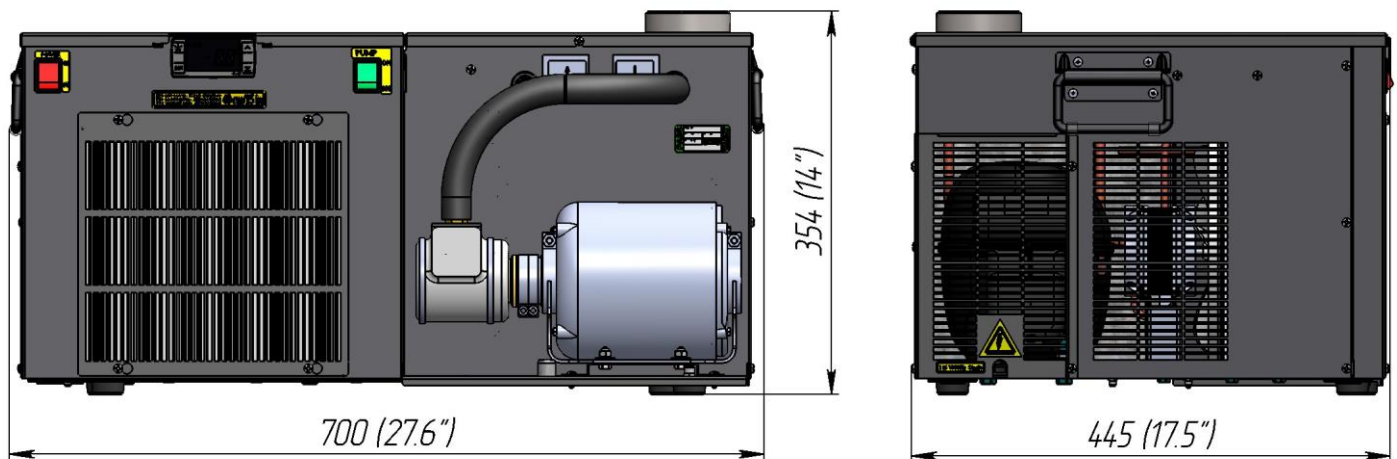


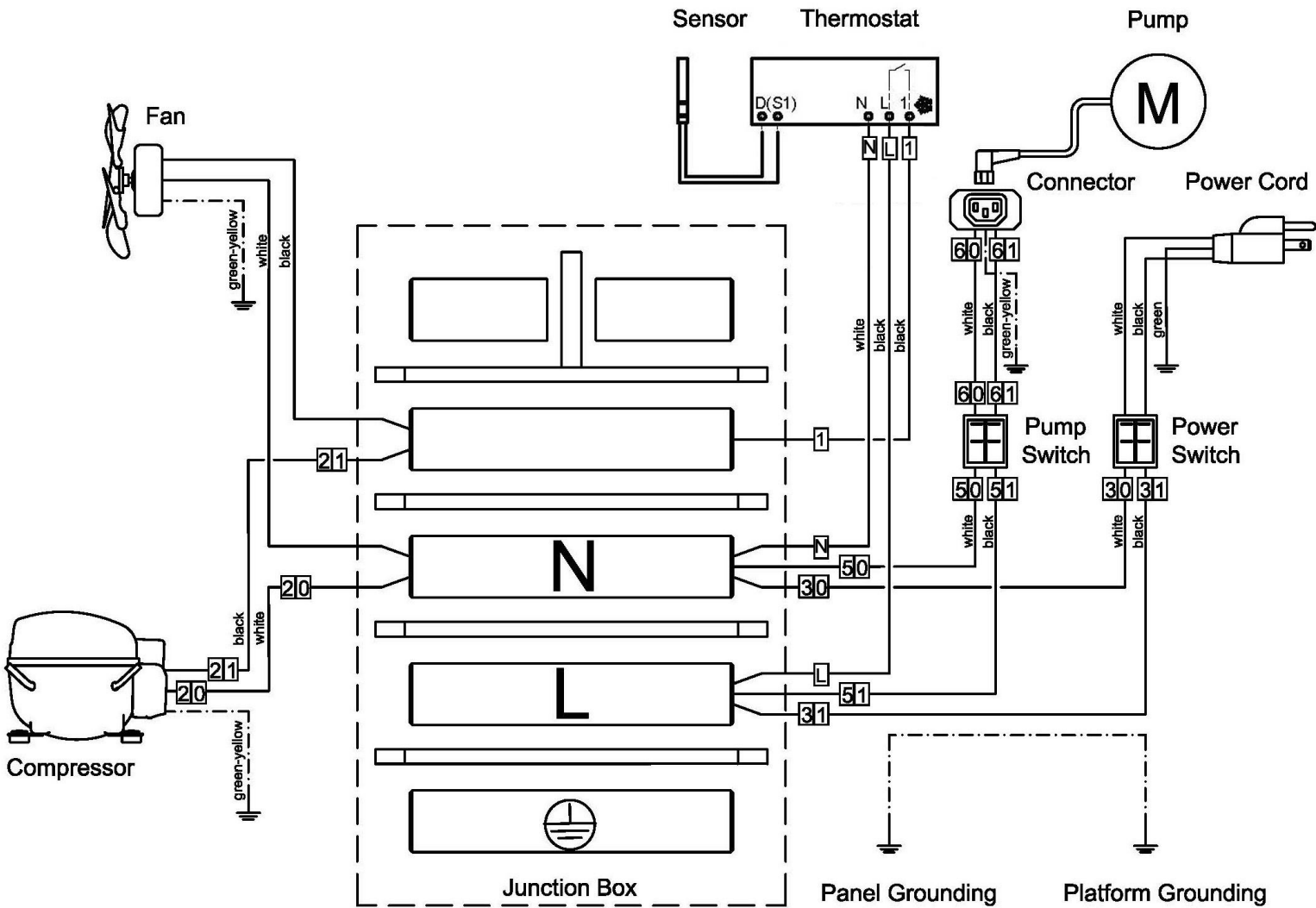


DIMENSIONS



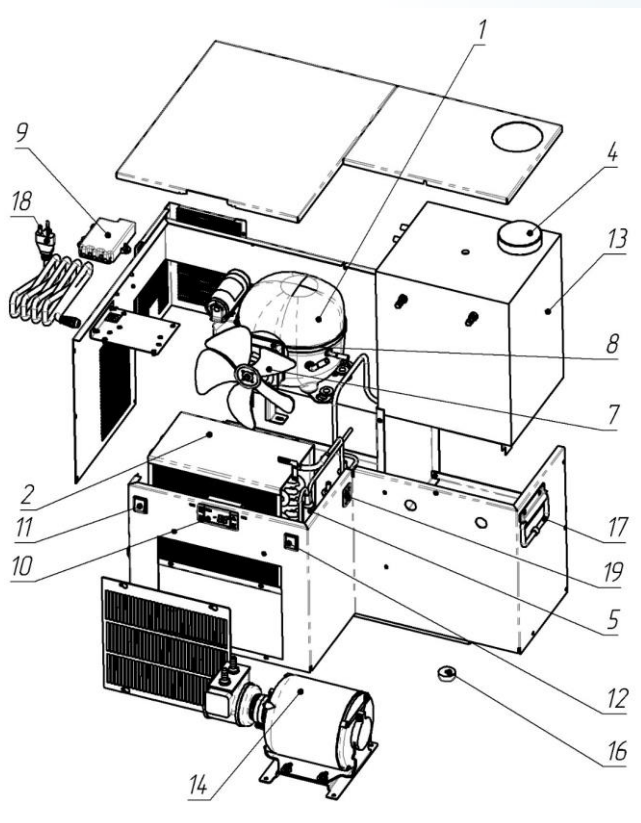
SPECIFICATIONS

INTERNAL NUMBER	113.00.000.00-XX
PART NUMBER	G30 Polar
MAXIMUM DISTANCE, FT	up to 125
CAPACITY, BTU/H	2600
GLYCOL TANK CAPACITY, GAL	2.9
COMPRESSOR POWER, HP	1/3
RUNNING, AMP	11.7
PLUG TYPE (NEMA #)	5-15P ⚠
VOLTAGE, V	115
FREQUENCY, HZ	60
PUMP TYPE	Vane with 1/3 hp motor
PUMP, GPH	80
NUMBER OF PRE-INSTALLED PUMPS	1
NUMBER OF ADDITIONAL PUMPS	0
REFRIGERANT	R290
REFRIGERANT CHARGE, G (OZ)	140 (4.94) (Cubigel & Secop compressor), 135(4.76) (Embraco compressor)
WEIGHT GROSS/NET, LB	106 / 101
POWER CORD LENGTH, FT	6
INLET/OUTLET BARB, IN	3/8
OPERATING AMBIENT TEMPERATURE, °F	60-90
CLEARANCE AT LEAST	12" around the entire unit
GLYCOL MIXTURE, VOL%	40 % glycol and 60% water



WIRING DIAGRAM

PARTS



1	Compressor "EMBRACO" NEU 6181 U or "SECOP" NLE8.0CN 115-127 V/60Hz or CUBIGEL NLY75RRa (115-127V 60Hz)
2	Air condenser "KARYER" STVF B-18143
3	Evaporator (inside glycol bath)
4	Cap
5	Filter-drier "DE-NA" GR-15 d6.1xd6.1xd2.5
7	Impeller $\varnothing 200$ mm., $\alpha=280$
8	Electric motor ELCO" NU 9-20-2/094 (115V/50-60Hz) UL "WGmotors" YZF10-20-26 (10W)(110-120V/60Hz) or "EBM" M4Q045-CA-27-04 (115V/60Hz)
9	Junction box "ITW ELETTRGIBI" PA104
10	Thermostat "ELIWELL" EWPlus 961(115 V/ 60Hz) or "DANFOSS" ERC 111A (115V/ 60Hz)
11	Power switch "ARCOLECTRIC" C6053ALBR (Red)
12	Power switch "ARCOLECTRIC" C6053ALBG (Green)
13	Glycol bath
14	Glycol pump «FLUID-O-TECH» PA 2501 («PROCON» 102A080F11BA), cover to the pump « FLUID-O-TECH », set union joint « FLUID-O-TECH » 48 YZ and motor "UBC" YU250-4G01 (115V/60Hz)
16	Foot
17	Handle
18	Power cord
19	Connector R302SN 250V 10A