


# Glycol Chiller ChillPro 4000

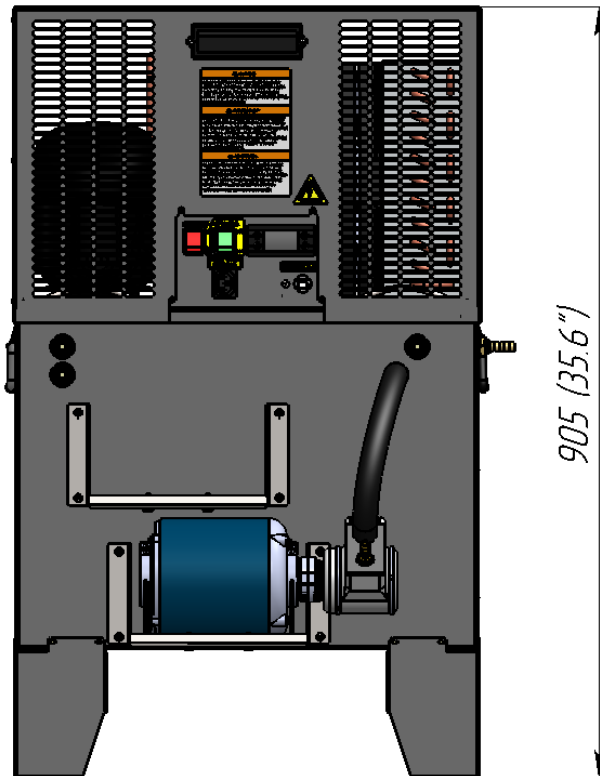
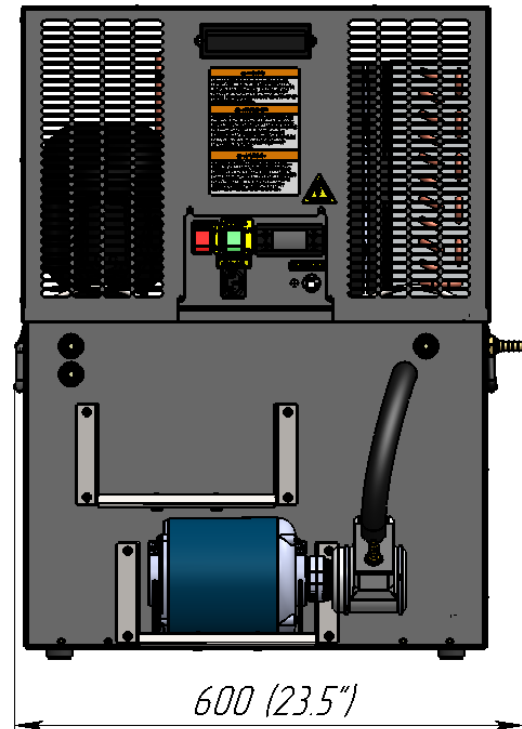
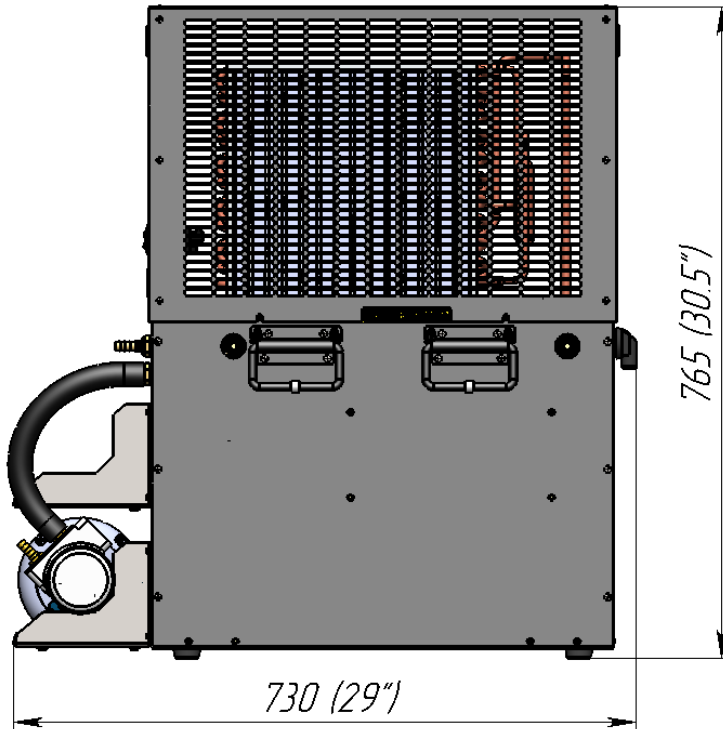
## Specifications



Internal number	236.00.000.00-XX
Part number	CP-4000-1
Maximum distance, ft	up to 250
Capacity, BTU/h, evap 20 °F	4000
Glycol tank capacity, gal	18
Compressor power, hp	1/2
Dedicated circuit, amp	15
Plug type (NEMA #)	5-15P 
Voltage, V / frequency, Hz	115 / 60
Pump type	Vane with 1/3 hp motor
Pump, GPH	80
Number of pre-installed pumps	1
Number of additional pumps	2
Refrigerant	R290
Width, in	29
Depth, in	23.5
Height, in	30.5 / 35.6 (on legs)
Weight gross/net, lb	146 / 140
Power cord length, ft	6
Inlet/Outlet barb, in	3/8
Operating ambient temperature, °F	60-90
Clearance at least	12" around the entire unit
Glycol mixture, vol%	40 % glycol and 60% water

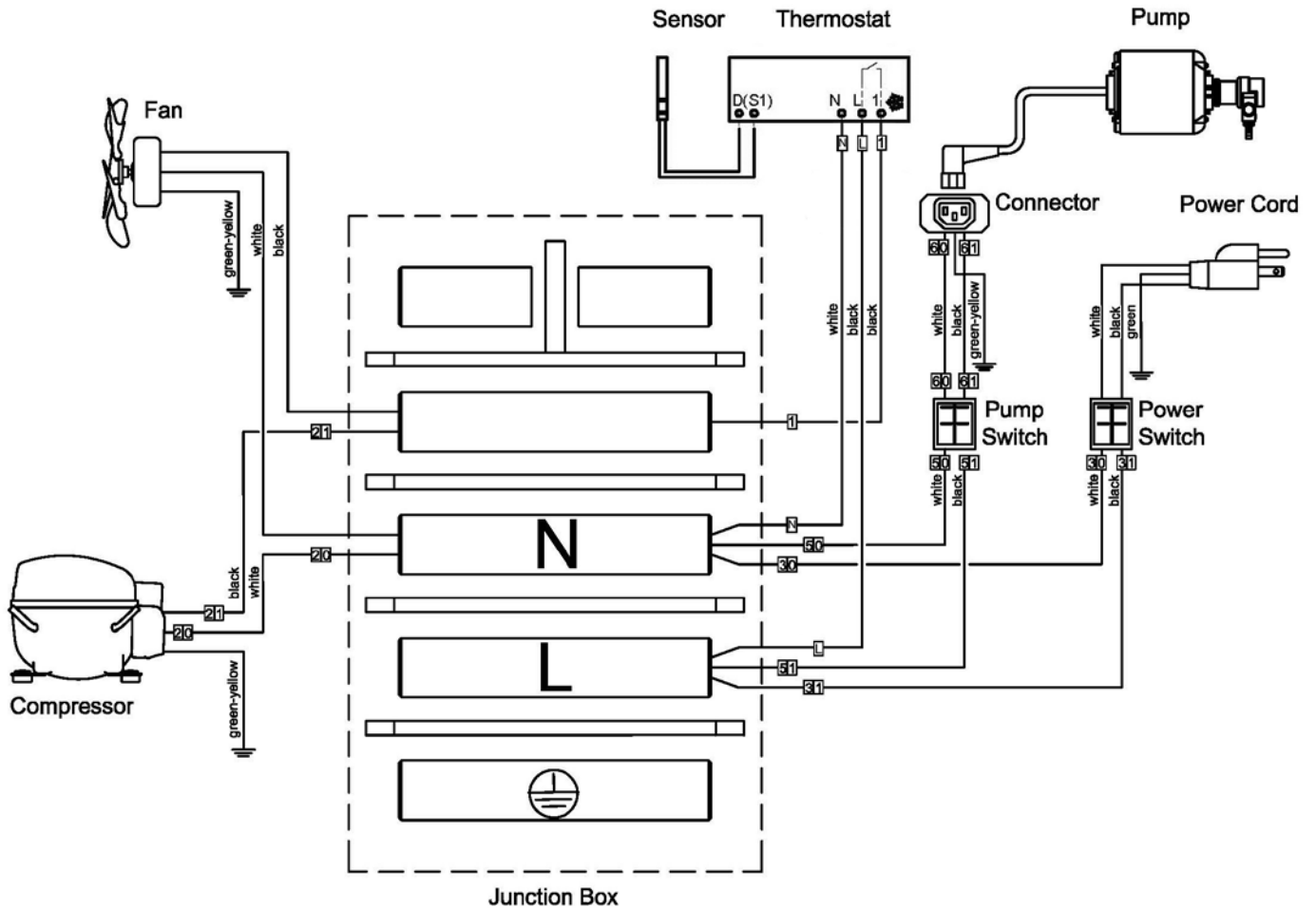
# Glycol Chiller ChillPro 4000

## Overall dimensions



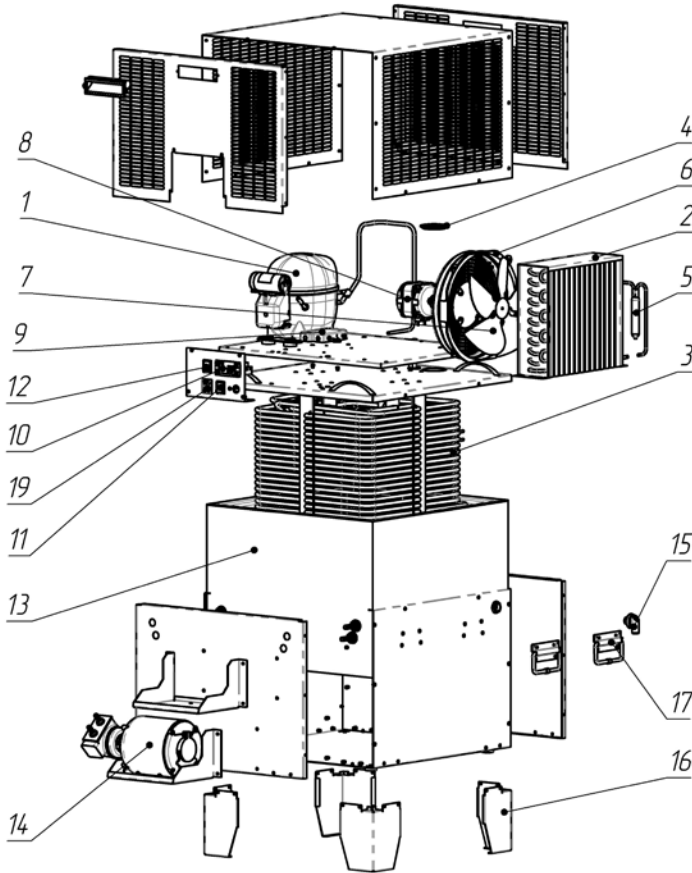
# Glycol Chiller ChillPro 4000

## Wiring diagram



# Glycol Chiller ChillPro 4000

## Parts



1	Compressor "SECOP" NLE10CN (115-127V/60Hz)
2	Air condenser "KARYER" B-29460
3	Evaporator
4	Cap
5	Filter-drier "DE-NA" GR-15 d6.1xd6.1xd2.5
6	Plastic grid "KARYER"
7	Impeller Ø254 mm., $\alpha=28^{\circ}$
8	Electric motor "ELCO" NU 9-20-2/094 (115V/50-60Hz) or "WGMOTORS" YZF10-20-26 (115V/50-60Hz)
9	Junction box "ITW ELETTRIGIBI" PA104
10	Thermostat "ELIWELL" EWPlus 961(115 V/ 60Hz) or "DANFOSS" ERC 111A (115 V/ 60Hz)
11	Power switch "ARCOLECTRIC" C6053ALBR (Red)
12	Power switch "ARCOLECTRIC" C6053ALBG (Green)
13	Glycol bath
14	Glycol pump «FLUID-O-TECH» PA 2501 («PROCON» 102A080F11BA), cover to the pump « FLUID-O-TECH », set union joint « FLUID-O-TECH » 48 YZ and motor "UBC" YU250-4G01 (115V/60Hz)
15	Overflow
16	Foot
17	Handle
19	Connector R302SN 250V 10A