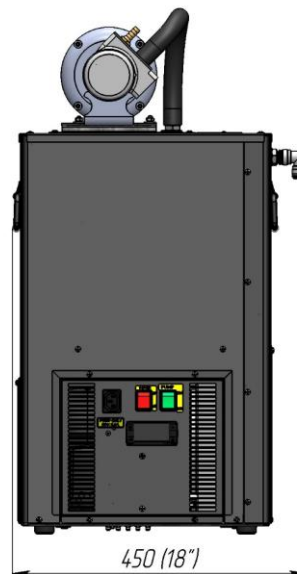
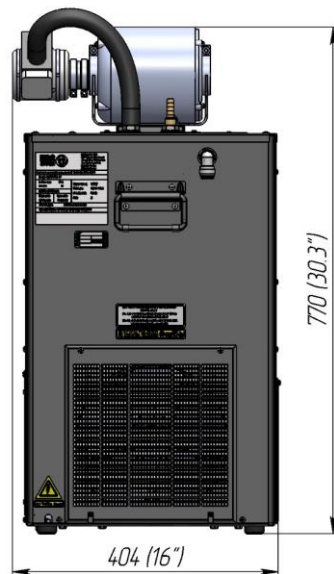



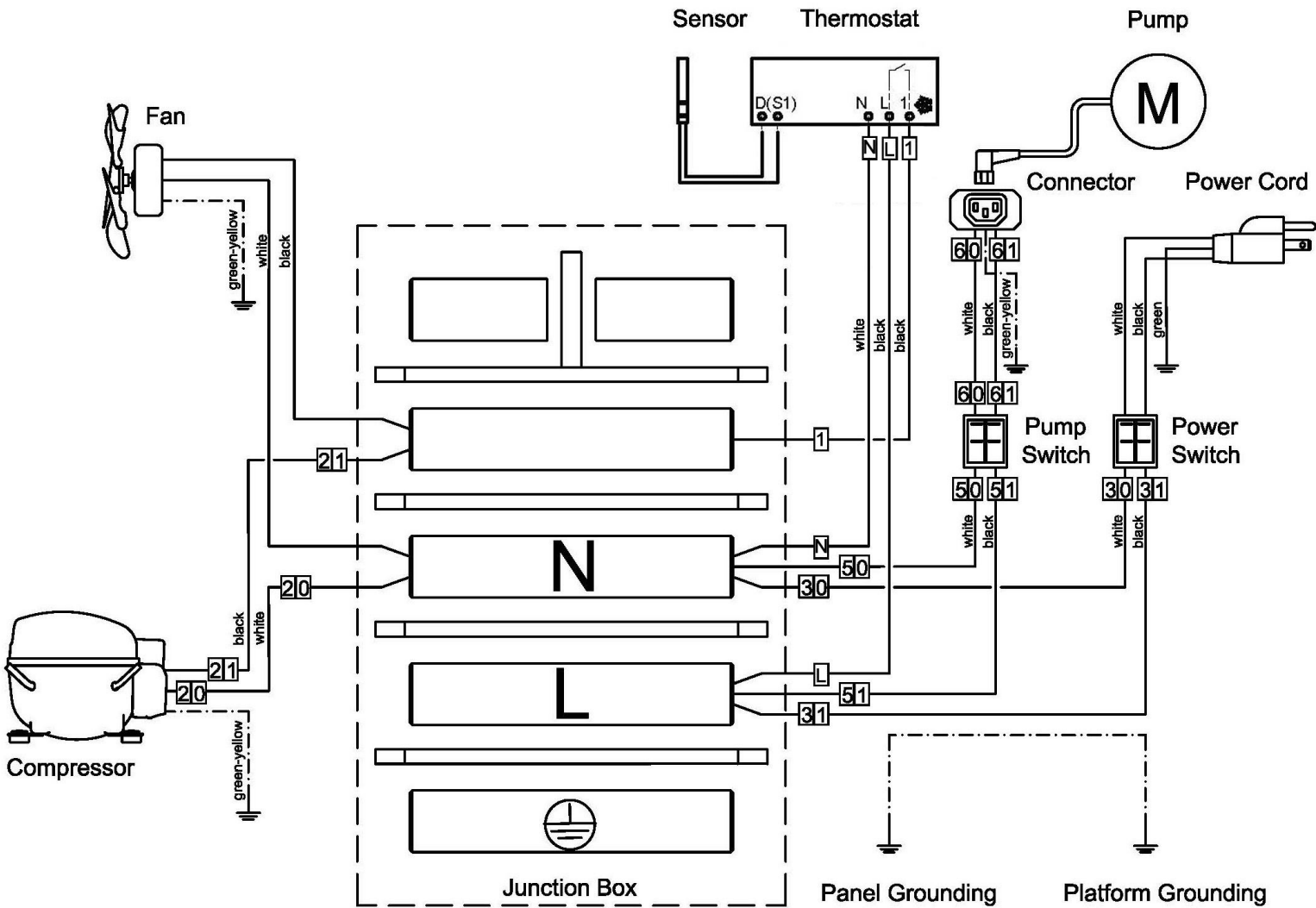


## DIMENSIONS



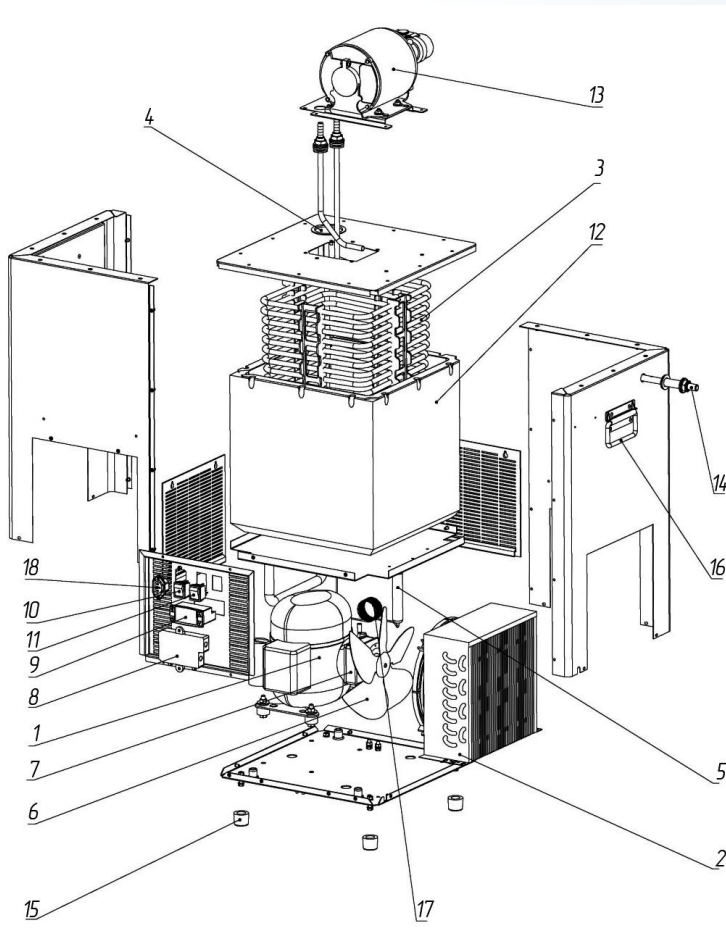
## SPECIFICATIONS

INTERNAL NUMBER	146.00.000.00-XX
PART NUMBER	CP-3200V-1
MAXIMUM DISTANCE, FT	up to 125
CAPACITY, BTU/H	3200
GLYCOL TANK CAPACITY, GAL	5.5
COMPRESSOR POWER, HP	3/8
RUNNING, AMP	13.3
PLUG TYPE (NEMA #)	5-15P 
VOLTAGE, V	115
FREQUENCY, HZ	60
PUMP TYPE	Vane with 1/3 hp motor
PUMP, GPH	80
NUMBER OF PRE-INSTALLED PUMPS	1
NUMBER OF ADDITIONAL PUMPS	0
REFRIGERANT	R290
REFRIGERANT CHARGE, G (OZ)	80 (2.82)
WEIGHT GROSS/NET, LB	101 / 93
POWER CORD LENGTH, FT	6
INLET/OUTLET BARB, IN	3/8
OPERATING AMBIENT TEMPERATURE, °F	60-90
CLEARANCE AT LEAST	12" around the entire unit
GLYCOL MIXTURE, VOL%	40 % glycol and 60% water



## WIRING DIAGRAM

## PARTS



1	Compressor Secop" NLE8.8CN (115-127V/60Hz) or "Cubigel" NLY90RRa (115-127V/60Hz)
2	Air condenser "KARYER" STVF 14221
3	Evaporator
4	Cap
5	Filter-drier "DE-NA" GR-15 d6.1xd6.1xd2.5
6	Impeller $\varnothing 230$ mm., $\alpha = 28^\circ$
7	Electric motor ELCO" NU 9-20-2/094 (115V/50-60Hz) UL "WGMotors" YZF10-20-26 (10W)(110-120V/60Hz) or "EBM" M4Q045-CA-27-04 (115V/60Hz)
8	Junction box "ITW ELETTRGIBI" PA104
9	Thermostat "ELIWELL" EWPlus 961 EW17Y10XB4A02 (115 V/ 60Hz) or "DANFOSS" ERC 111A (115V/ 60Hz)
10	Power switch "ARCOLECTRIC" C6053ALBR (Red)
11	Power switch "ARCOLECTRIC" C6053ALBG (Green)
12	Glycol bath
13	Glycol pump «FLUID-O-TECH» PA 2501 («PROCON» 102A080F11BA), cover to the pump « FLUID-O-TECH », set union joint « FLUID-O-TECH » 48 YZ and motor "UBC" YU250-4G01 (115V/60Hz)
14	Overflow
15	Foot
16	Handle
17	Capillary tube 2.4x0.575x1800 mm
18	Connector R302SN 250V 10A