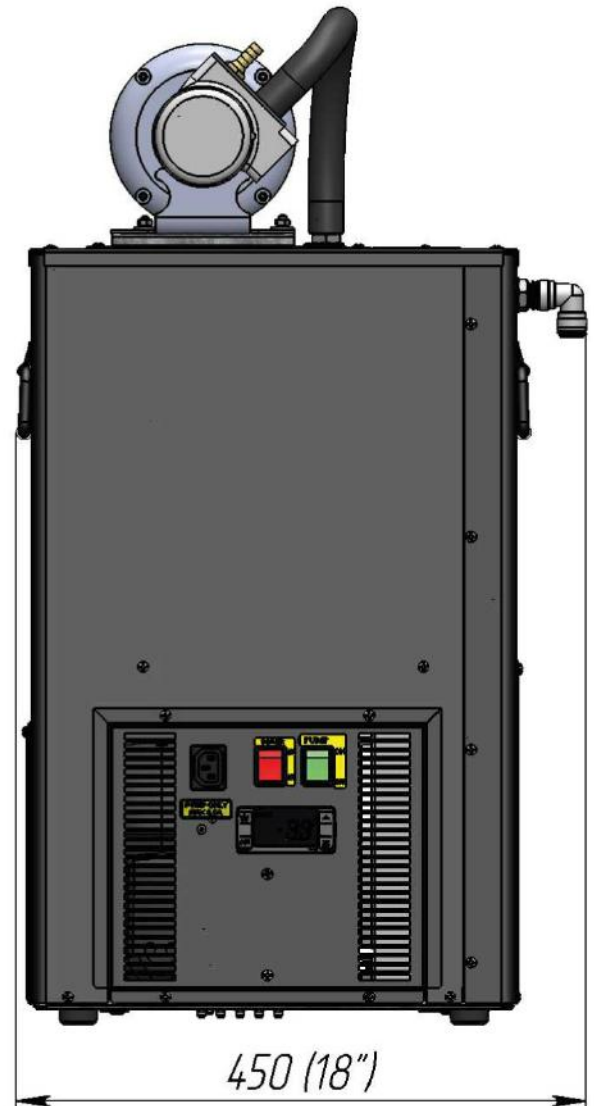
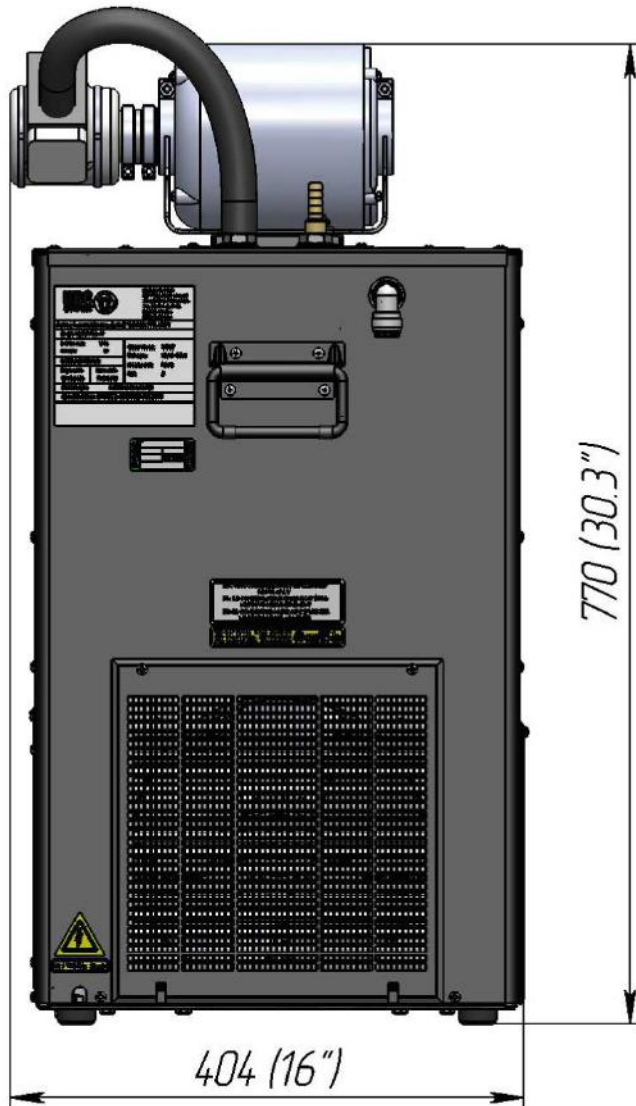


### Specifications

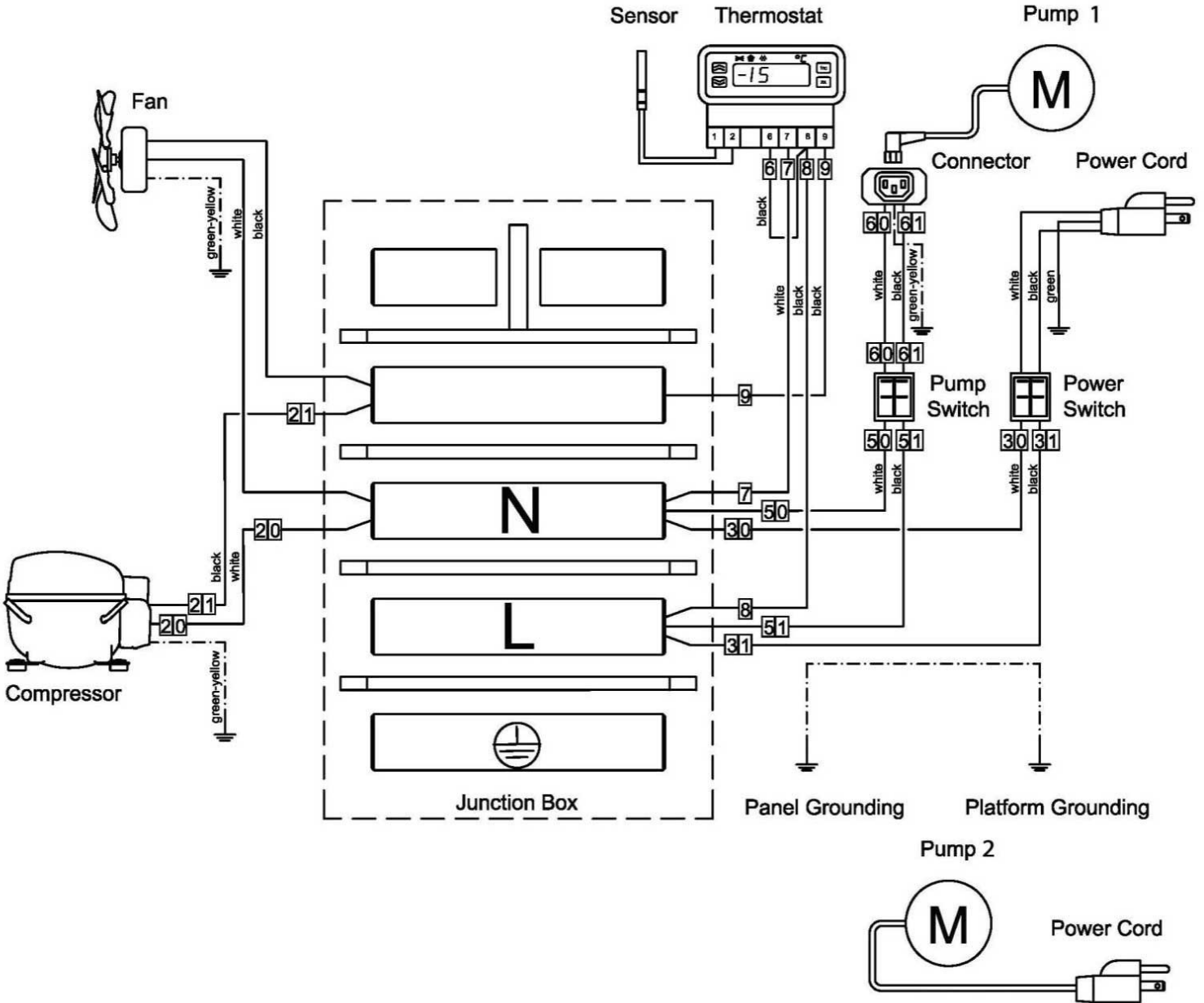


1	Compressor "Cubigel" NLY90RRa (115 -127V/60Hz) or "Secop" NLE8.8CN (115 -127V/60Hz)
2	Aircondenser "KARYER" STFT 14221
3	Evaporator
4	Cap
5	Filter-drier "DE-NA" GR-15d6.1xd6.1xd2.5
6	Impeller Ø230 mm., $\alpha=28^\circ$
7	Electric motor "ELCO" NU9 -20-2/094 (115V/50 - 60Hz) UL "WGMotors" YZF10 -20-26 (10W) (110 - 120V/60Hz) or "EBM" M4Q045 -CA-27-04 (115V/60Hz)
8	Terminalblock "ITWE LETTROGIBI" PA104
9	Thermostat "DIXELL" XR02CX -4N0F1 (115V/60Hz)
10	Powerswitch "ARCOELECTRIC" C6053ALBR (Red)
11	Powerswitch "ARCOELECTRIC" C6053ALBG (Green)
12	Glycolbath
13	Glycolpump «FLUID -O-TECH» PA 2501 or "PROCON" 102A080F11BA250, and motor "MARATHON" 5KH32FN5586MX (115V/60Hz) or "UBC" YU250-4G01 (100-120V/200-240V-50/60hz)
14	Overflow
15	Foot
16	Handle
17	Capillary tube 2.4x0.575x1800mm
18	Connector R302SN 250V10A

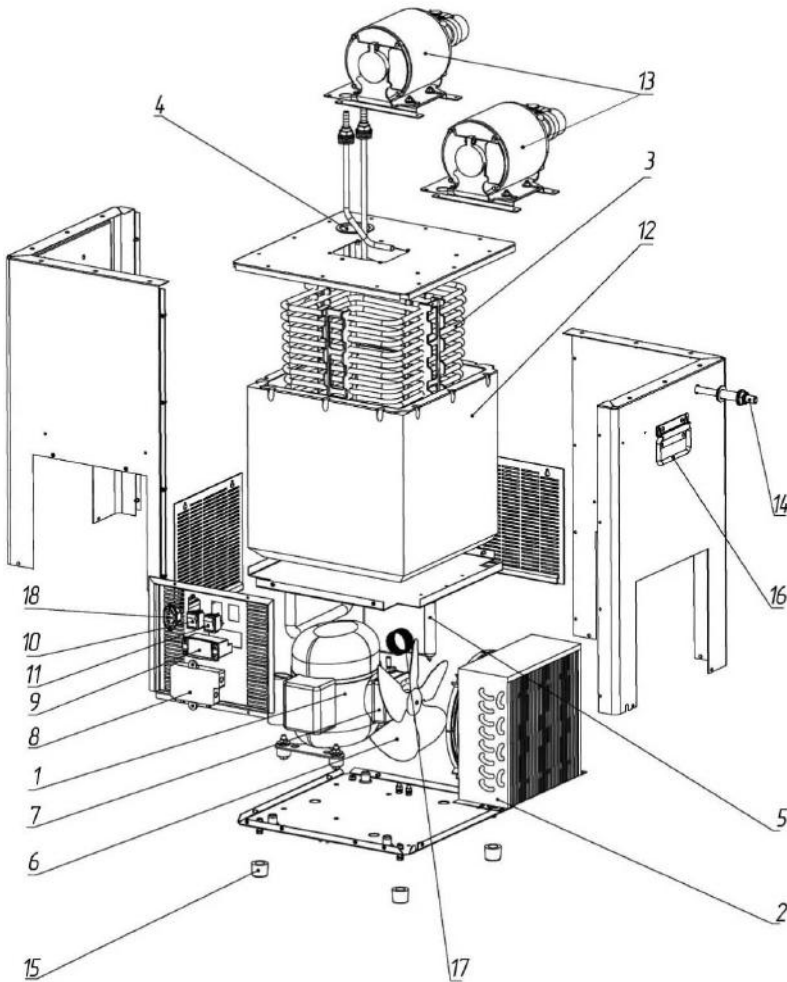
### Overall dimensions



### Wiring diagram



### Parts



1	Compressor "Cubigel" NLY90RRa (115 -127V/60Hz) or "Secop" NLE8.8CN (115 -127V/60Hz)
2	Aircondenser "KARYER" STFT 14221
3	Evaporator
4	Cap
5	Filter-drier "DE-NA" GR-15d6.1xd6.1xd2.5
6	Impeller Ø230 mm., $\alpha=28^\circ$
7	Electric motor "ELCO" NU9 -20-2/094 (115V/50 - 60Hz) UL "WGmotors" YZF10 -20-26 (10W) (110 - 120V/60Hz) or "EBM" M4Q045 -CA-27-04 (115V/60Hz)
8	Terminalblock "ITWE LETTROGIBI" PA104
9	Thermostat "DIXELL" XR02CX -4N0F1 (115V/60Hz)
10	Powerswitch "ARCOELECTRIC" C6053ALBR (Red)
11	Powerswitch "ARCOELECTRIC" C6053ALBG (Green)
12	Glycolbath
13	Glycolpump «FLUID -O-TECH» PA 2501 or "PROCON" 102A080F11BA250, and motor "MARATHON" 5KH32FN5586MX (115V/60Hz) or "UBC" YU250-4G01 (100-120V/200-240V-50/60hz)
14	Overflow
15	Foot
16	Handle
17	Capillary tube 2.4x0.575x1800mm
18	Connector R302SN 250V10A