



## GLASS DOOR MERCHANDISER REFRIGERATION

UBC Part# IS-EF23-230

#C1-23GDVC

### FEATURES

#### Features:

- Bottom mount compressor units
- Environmentally friendly R290 refrigerant
- Led lighting interior display system
- Dixell digital temperature control system
- Heavy duty Embraco compressor
- Self-closing and stay open door
- Efficient refrigeration system
- Recessed door handle
- Standard safety door lock
- Magnetic door gaskets
- Pre-installed casters
- Pre-installed shelves



#### Warranty:

- Two year parts and labour; Five years on compressor

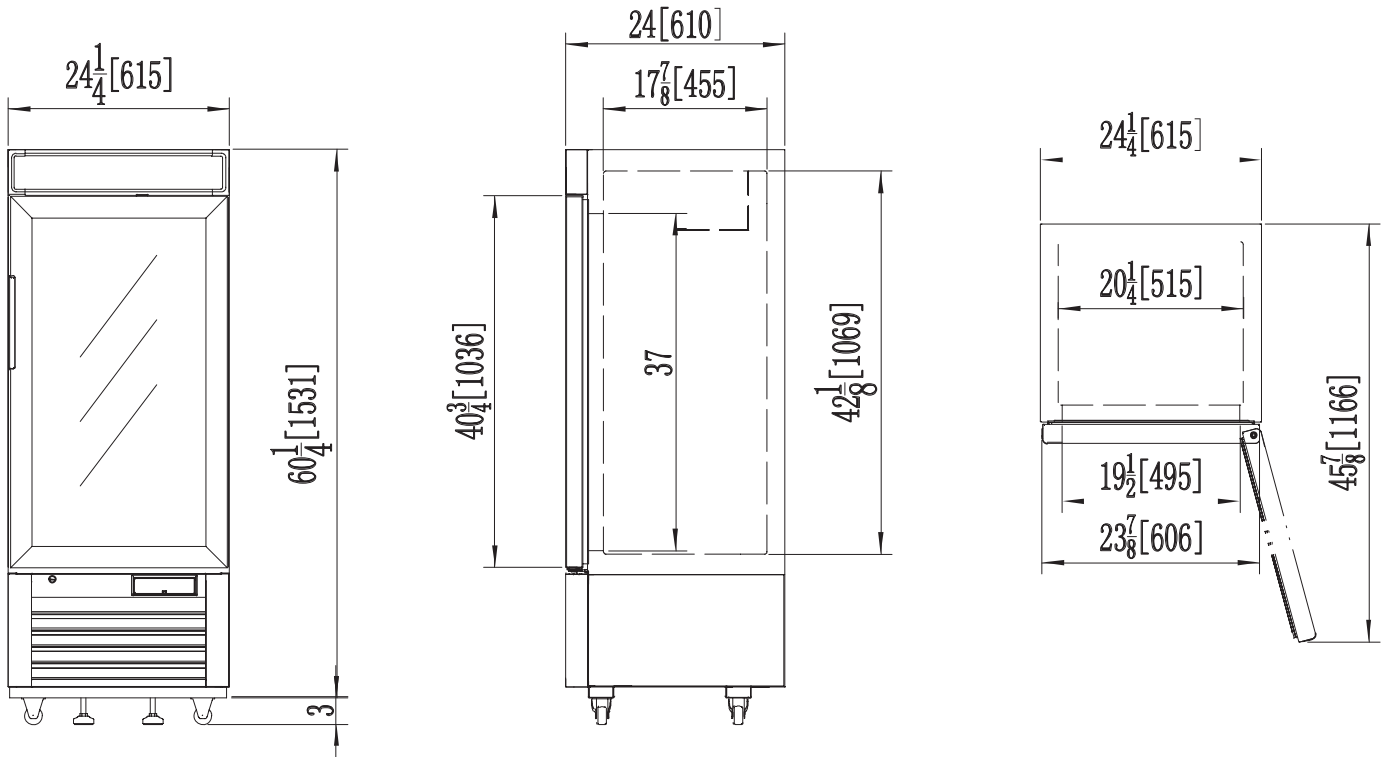


**CANADA**

Toll Free: 1 (844) 310-0806  
Web: [www.beer-co.ca](http://www.beer-co.ca)  
Email: [info@beer-co.ca](mailto:info@beer-co.ca)

**USA**

Toll Free: +1-888-808-9286  
Web: [www.beer-co.us](http://www.beer-co.us)  
Email: [info@beer-co.us](mailto:info@beer-co.us)



Model	Refrigerant	Doors	Shelves	Dimension (mm) (inch)			HP	Voltage	Amps	Capacity (L) (Cu Ft.)	Net Weight (KG) (LBS)	Temperature Range
				L	D	H						
C1-23GDVC	R290	1	3	615	610	1560	1/6	115/60	2.1	235	86	1 ~ 8°C
				24.2	24.0	61.4						

Equipped with one NEMA 5-15P plug 

SHIPPING INFORMATION

Crate Dimensions (mm) (inch)			Net Weight (KG) (LBS)	Gross Weight (KG) (LBS)
L	D	H		
668	663	1753	86	95
26.3	26.1	69	190	210

Specifications subject to change without notice.