
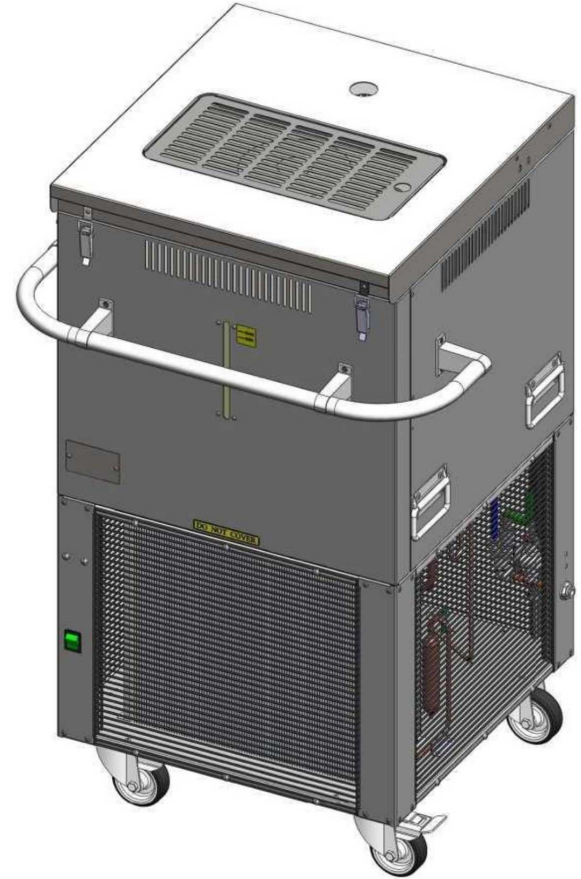
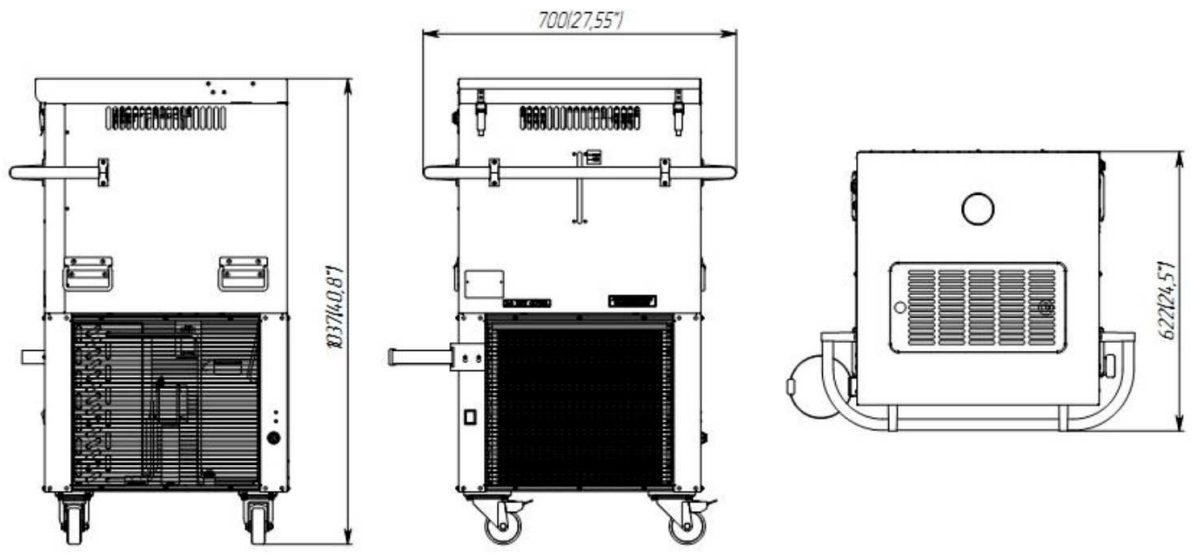


SPECIFICATIONS

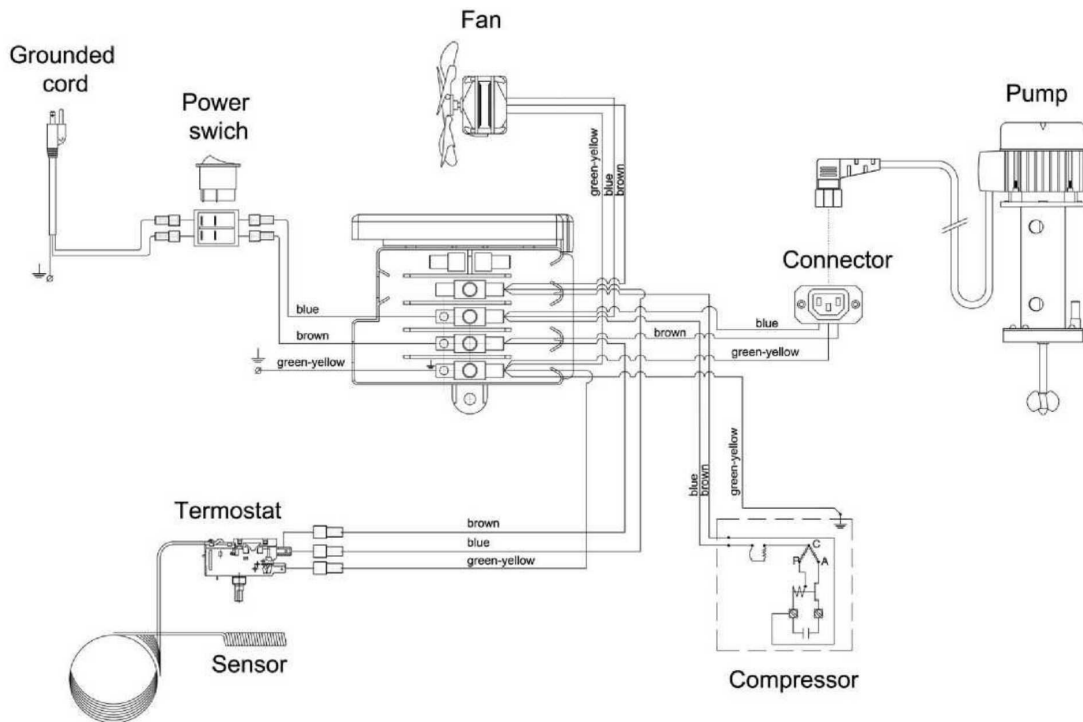
ITEM	DESCRIPTION	
INTERNAL NUMBER	133.00.000.00-17	
PART NUMBER	V200EX-3/4T2	
COMPRESSOR POWER	hp	1/2 +
CAPACITY, BTU/H, EVAP 20°F	5700	
CAPACITY, BTU/H	10500	
DEDICATED CIRCUIT	amp	15
PLUG TYPE (NEMA #)	5-15P 	
VOLTAGE, V / FREQUENCY, HZ	hz	115 / 60
OPERATING AMPERAGE	A	11.2
REFRIGERANT	R134A	
OUTLET TEMPERATURE	°F	32±46
OPERATING AMBIENT TEMPERATURE	°F	60-90
PRODUCT LINES (ST. STEEL AISI 304)	1 to 6	
OD PRODUCT LINES	in	5/16
WIDTH	in	27.55
DEPTH	in	24.5
HEIGHT	in	40.8
WEIGHT GROSS/NET	lb	150/140
POWER CORD LENGTH	ft	6



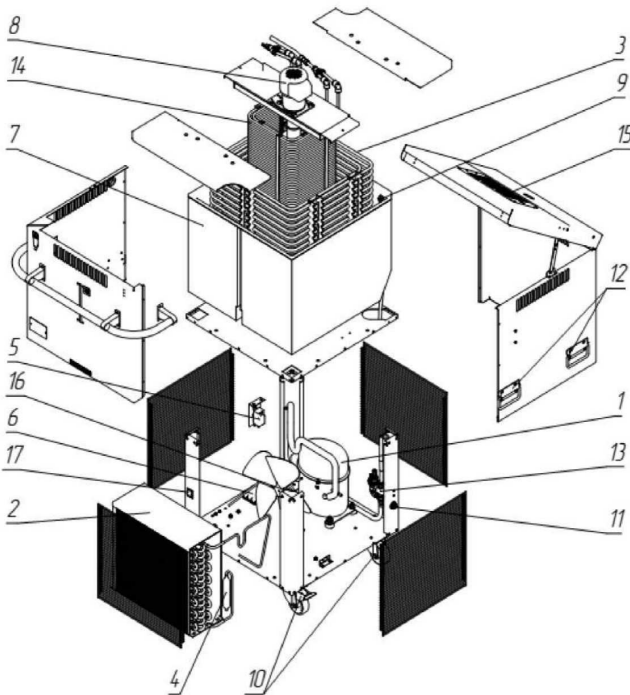
OVERALL DIMENSIONS



WIRING DIAGRAM



PARTS



1	COMPRESSOR "EMBRACO" NEU 6214Z (115V/60HZ)
2	CONDENSER "KARYER" B-16804
3	EVAPORATOR
4	FILTER-DRIER «BVB» GR-30 6.1/3.1
5	THERMOSTAT "RANCO" K50H2005003 OR "RANCO" K50S3489000
6	JUNCTION BOX "ITW ELETTROGIBI " PA104
7	BATH
8	PUMP «TOTTON» SPC-51L (115V/60HZ)
9	OVERFLOW
10	WHEEL WITH OR WITHOUT BRAKES
11	DRAINAGE
12	HANDLE
13	DRAINAGE VALVE
14	PRODUCT COILS
15	DRAINAGE
16	HANDLE
17	DRAINAGE VALVE