

# Flash Chiller Tayfun-75

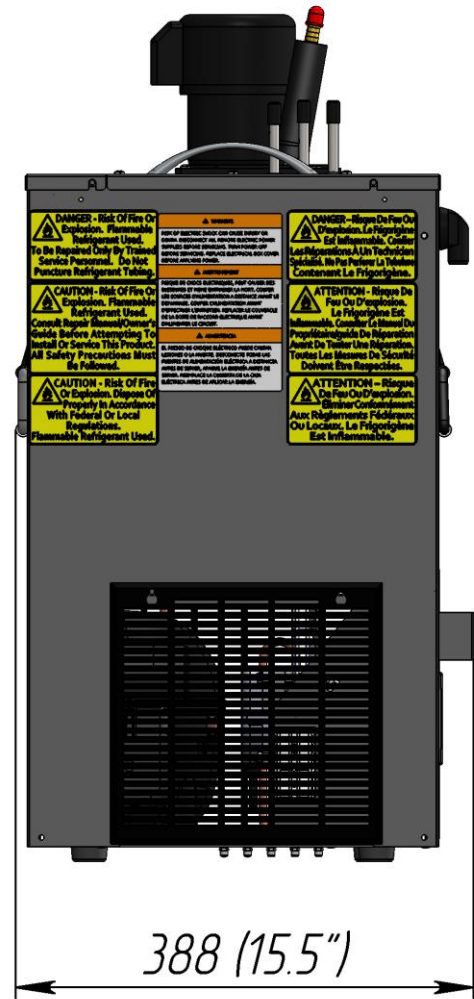
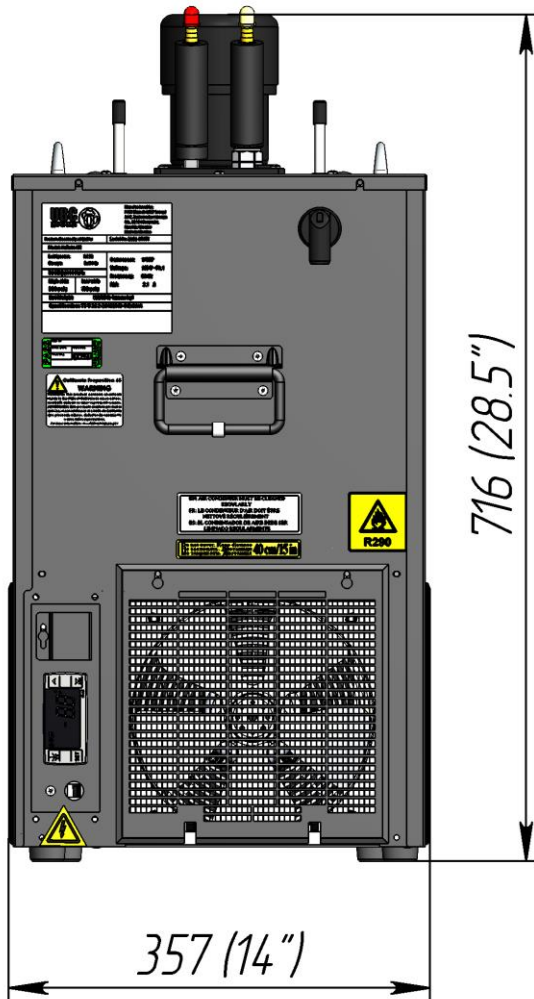
## Specifications



|                                    |                            |
|------------------------------------|----------------------------|
| Internal number                    | 012.00.000.00-XX           |
| Part number                        | T75F-1/4T3                 |
| Capacity, BTU/h, evap 20 °F        | 1900                       |
| Ice bank, BTU/h                    | 3100                       |
| Compressor power, hp               | 1/4                        |
| Dedicated circuit, amp             | 15                         |
| Plug type (NEMA #)                 | 5-15P ☹️                   |
| Voltage, V / frequency, Hz         | 115 / 60                   |
| Operating amperage, A              | 7                          |
| Refrigerant                        | R290                       |
| Outlet temperature, °F             | 32÷46                      |
| Operating ambient temperature, °F  | 60-90                      |
| Product lines (st. steel AISI 304) | 3                          |
| OD product lines, in               | 5/16                       |
| Coil's length, ft                  | 44                         |
|                                    | 38                         |
|                                    | 32                         |
| Width, in                          | 14                         |
| Depth, in                          | 15.5                       |
| Height, in                         | 28.5                       |
| Weight gross/net, lb               | 82 / 77                    |
| Power cord length, ft              | 6                          |
| Inlet/Outlet barb, in              | 3/8                        |
| Clearance at least                 | 12" around the entire unit |

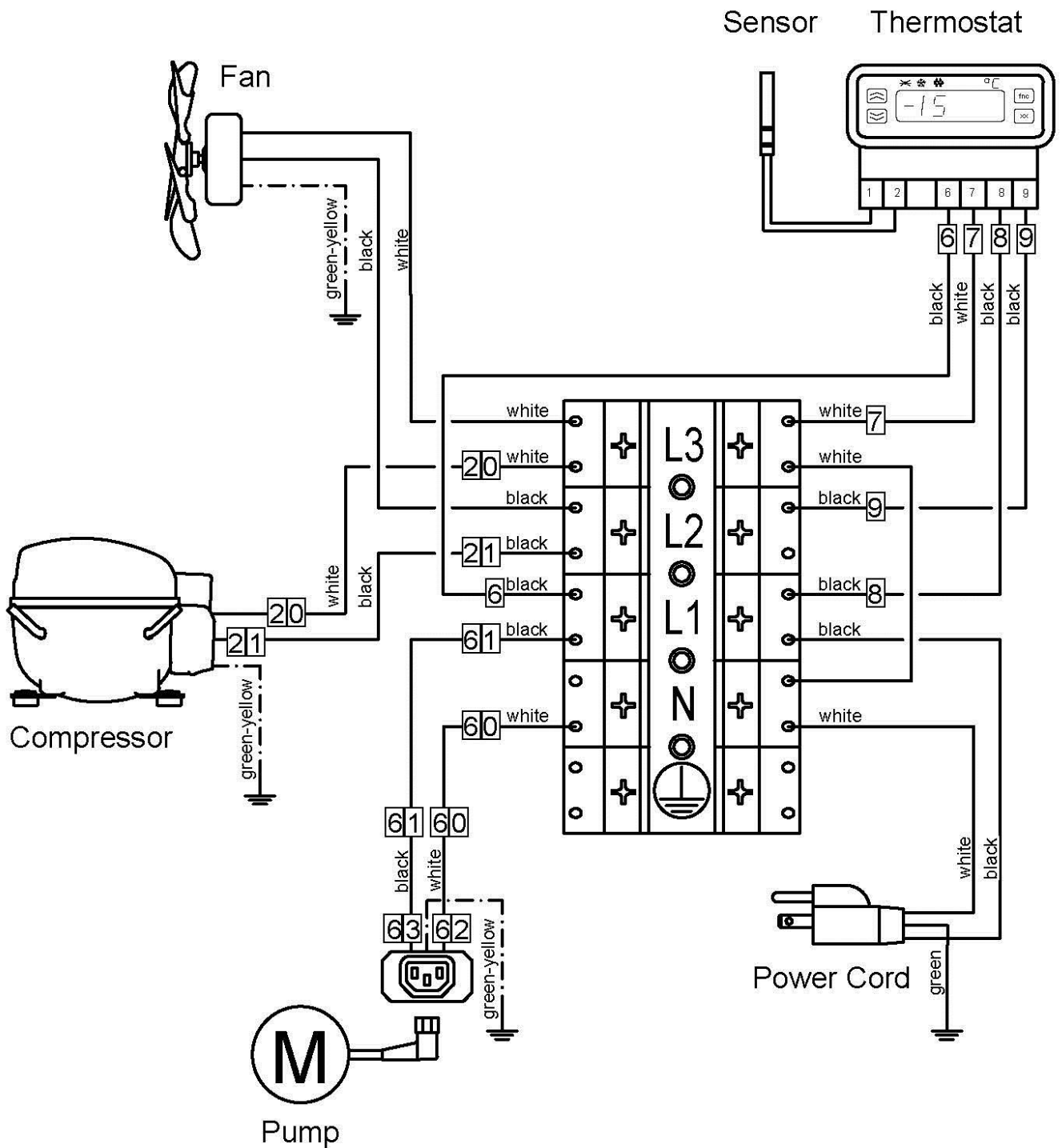
# Flash Chiller Tayfun-75

## Overall dimensions



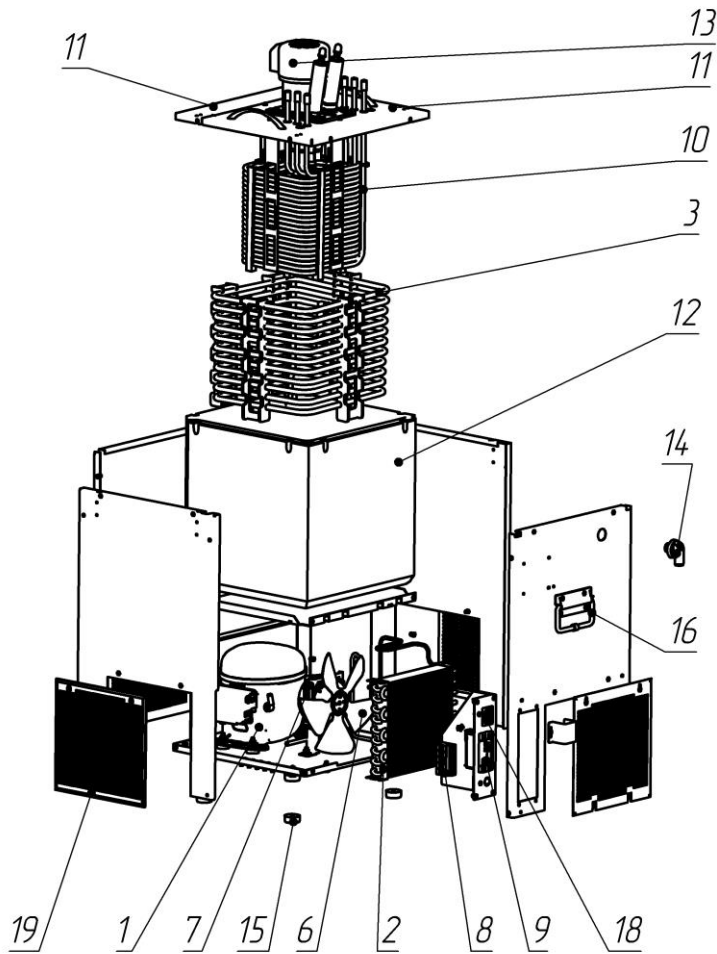
# Flash Chiller Tayfun-75

## Wiring diagram



# Flash Chiller Tayfun-75

## Parts



|    |  |
|----|--|
| 1  | Compressor "CUBIGEL" NLY60RRa (115-127V/60Hz) or "EMBRACO" NEK 6165U (115V 60Hz) or "SECOP" DLE5.7CN (115-127V/60Hz)                             |
| 2  | Air condenser "KARYER" STFT 12118  |
| 3  | Evaporator   |
| 5  | Filter-drier "DE-NA" GR-15 d6.1xd6.1xd2.5  |
| 6  | Impeller Ø200 mm., $\alpha=28^\circ$   |
| 7  | Electric motor or "ELCO" NU 4-13-2/236 115 V, 60/50 Hz or "WGMOTORS" YZF6-13-26 (6W) (120V-60Hz) or "EBM" iQC3612-010415/A01 (100-240V 50/60 Hz) |
| 8  | Terminal block "WAGO" KL-5   |
| 9  | Thermostat "DIXELL" XR02CX-4N0F1 (115 V/ 60Hz)   |
| 10 | Coils  |
| 11 | Lid  |
| 12 | Bath   |
| 13 | Pump «TOTTON» SPC 42 (115V/60Hz)   |
| 14 | Overflow   |
| 15 | Foot   |
| 16 | Handle   |
| 17 | Capillary tube 2.4x0.575   |
| 18 | Connector R302SN 250V 10A  |
| 19 | Plastic grid   |