

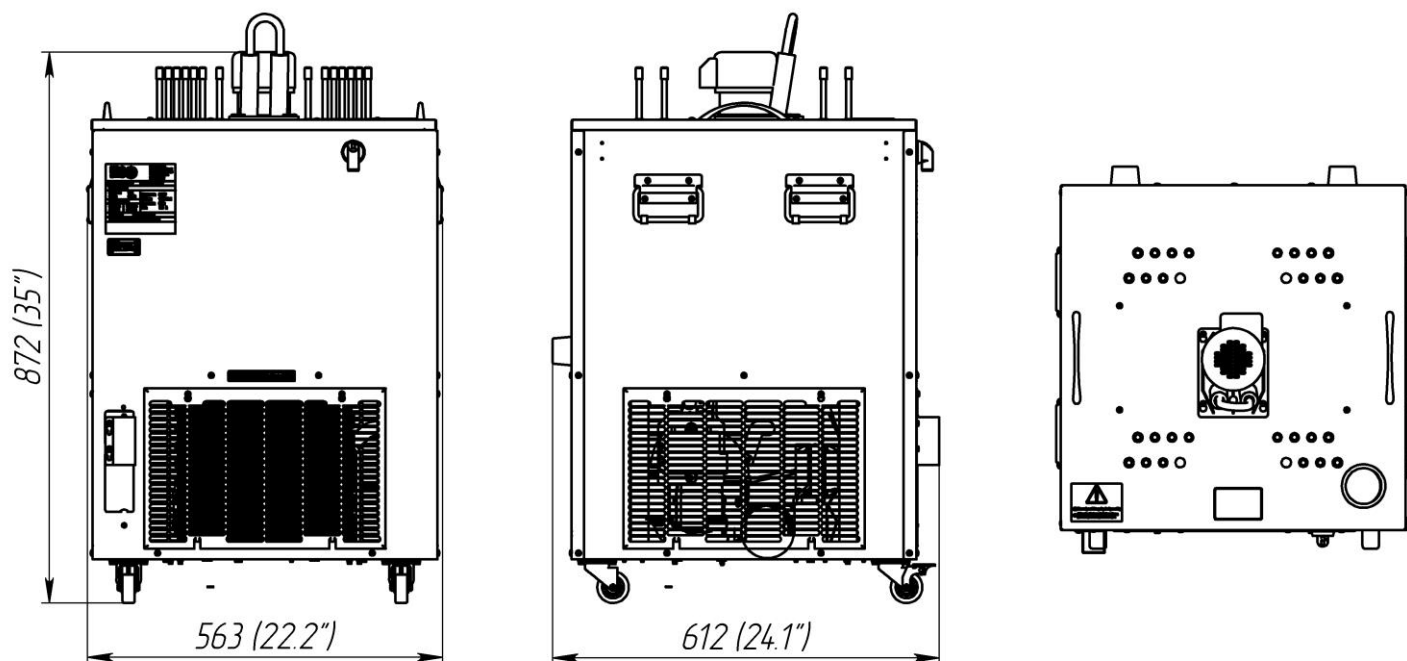
Flash-chiller Tayfun-220

Specifications



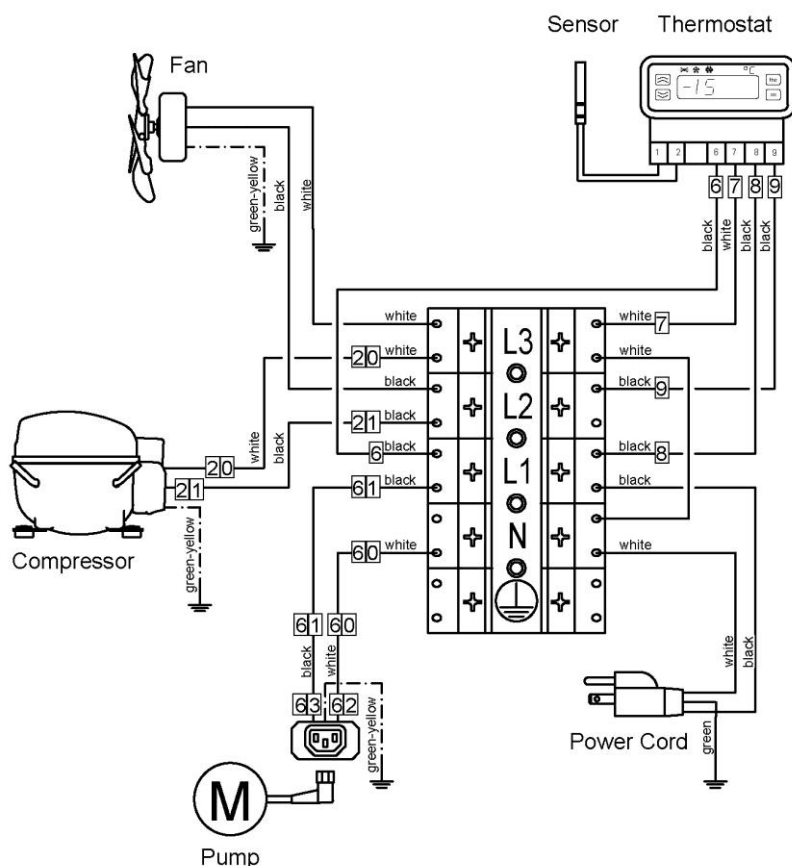
Internal number	026.00.000.00-XX
Part number	T220F-1/2T14
Compressor power, hp	1/2
Capacity, BTU/h, evap 20 °F	4500
Ice bank, BTU/h	9000
Dedicated circuit, amp	15
Plug type (NEMA #)	5-15P Ⓢ
Voltage, V / frequency, Hz	115 / 60
Operating amperage, A	11.5
Refrigerant	R290
Outlet temperature, °F	32÷46
Operating ambient temperature, °F	60-90
Product lines (st. steel AISI 304)	14
OD product lines, in	5/16
Coil's length, ft	30 each
Width, in	22.2
Depth, in	24.1
Height, in	35
Weight gross/net, lb	154/141
Power cord length, ft	6

Overall dimensions

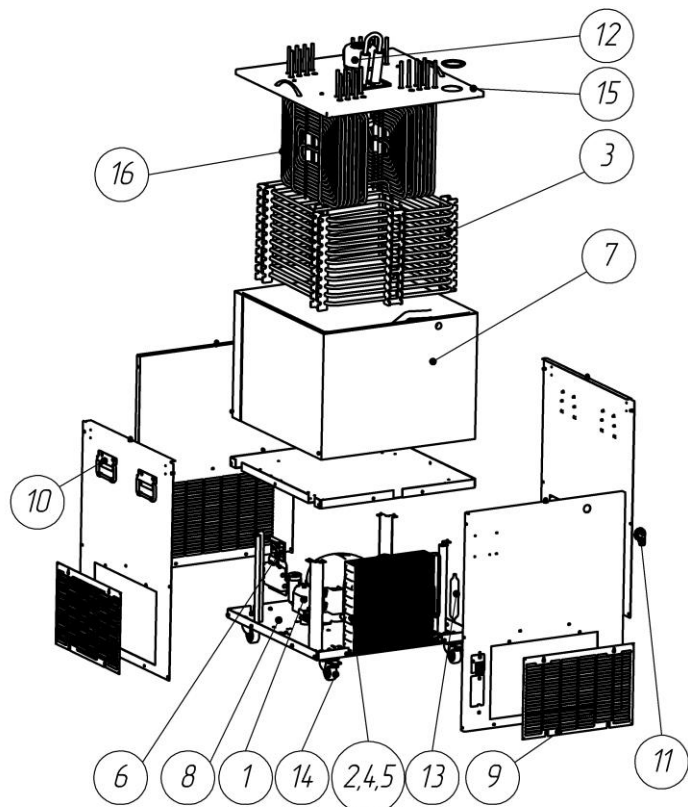


Flash-chiller Tayfun-220

Wiring diagram



Parts



1	Compressor "EMBRACO" NEU 6214U (115V 60Hz) or "SECO" NLE11MN CSIR (115-127V/60Hz)
2	Air condenser "KARYER" B-29460
3	Evaporator
4	Impeller Ø254 mm., $\alpha=28^\circ$
5	Electric motor "ELCO" NU 16-30-2/096 (115V 50/60Hz) or "WGMOTORS" YZF18-25 (120V/60Hz)
6	Thermostat "DIXELL" XR02CX-4N0F1 (115 V/ 60Hz)
7	Bath
8	Base
9	Grid
10	Handle
11	Overflow
12	Pump «TOTTON» SPC 42 (115V/60Hz)
13	Filter-drier "DE-NA" GR-15 d6.1xd6.1xd2.5
14	Wheels with or without brakes
15	Lid
16	Product coils
17	Capillary tube 2.4x0.575 mm