

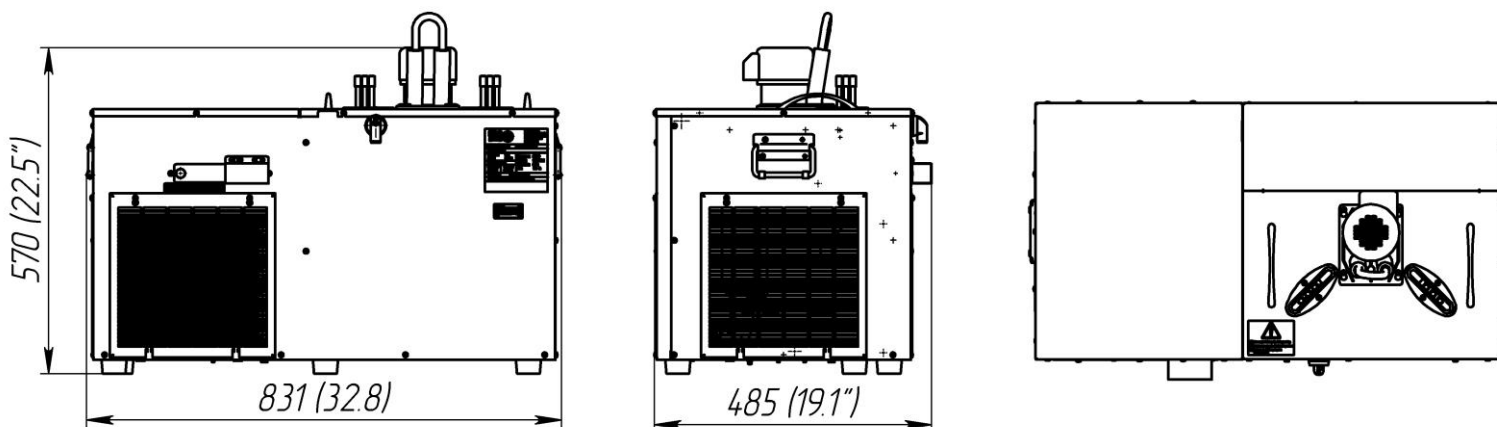
Flash-chiller Tayfun-160

Specifications



Internal number	007.00.000.00-XX
Part number	T160F-1/2T6
Compressor power, hp	1/2
Capacity, BTU/h, evap 20 °F	3100
Ice bank, BTU/h	7500
Dedicated circuit, amp	15
Plug type (NEMA #)	5-15P ⚡
Voltage, V / frequency, Hz	115 / 60
Operating amperage, A	10
Refrigerant	R290
Outlet temperature, °F	32÷46
Operating ambient temperature, °F	60-90
Product lines (st. steel AISI 304)	6
OD product lines, in	5/16
Coil's length, ft	63
	63
	62
	57
	53
	49
Width, in	32.8
Depth, in	19.1
Height, in	22.5
Weight gross/net, lb	82/77
Power cord length, ft	6

Overall dimensions



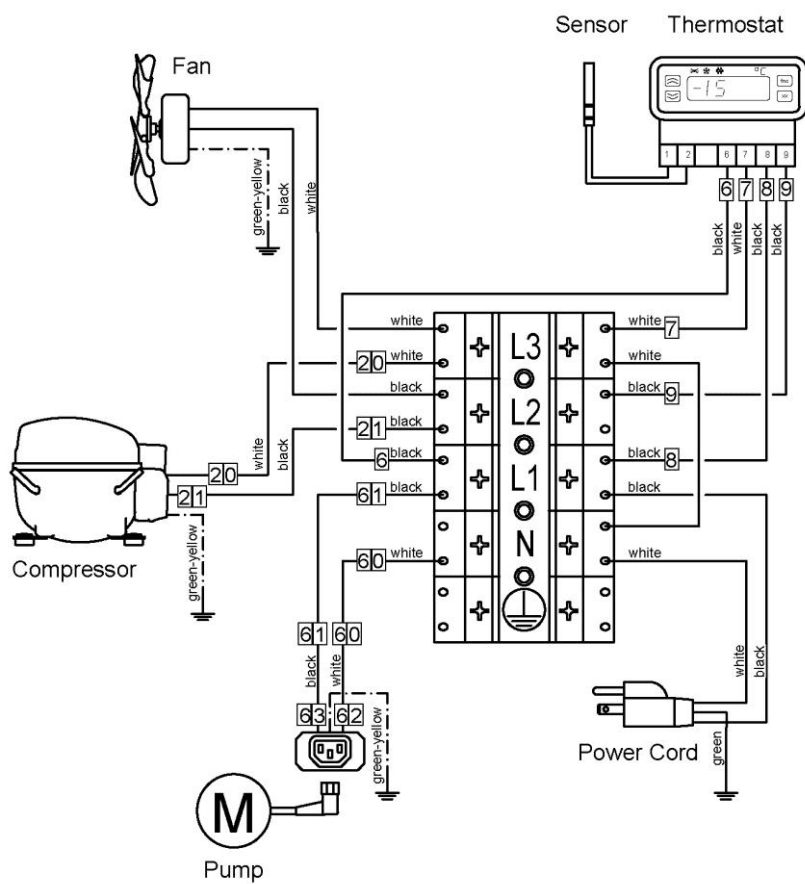
UNITED STATES UBC Distribution USA Inc
65 North Central Dr., O'FALLON, MO, 63366,
USA ph.: +1 (636) 379-2226 Toll Free: +1 (888)
808-9286 fax: +1 (866) 659-8904 info@beer-co.us

CANADA UBC COOL Canada Inc, 1715 Meyerside
Drive, Unit 7-9, Mississauga, ON, L5T 1C5, CANADA
ph.: +1 (905) 629-2597 Toll Free: +1 (866) 995-9965
fax.: +1 (905) 629-2577 info@beer-co.ca

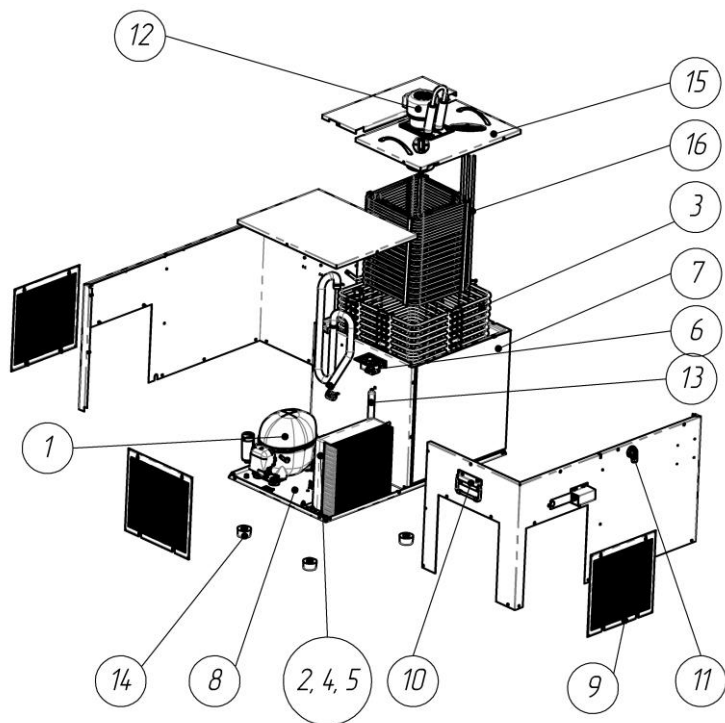
MÉXICO GRUPO CERVECERO UKRANIANO,
S.A DE C.V. TOKIO 714, PORTALES SUR,
BENITO JUÁREZ CIUDAD DE MÉXICO 03300
Tel: + 52 (55) 2624 3458 Cel: +52 1 (55) 48668127
Email: s.reaskos@beer-co.com.mx

Flash-chiller Tayfun-160

Wiring diagram



Parts



1	Compressor "Cubigel" NLY90RRa (115-127V/60Hz) or "Secop" NLE8.8CN (115-127V/60Hz)
2	Condenser "KARYER" UKSCOND03R09T
3	Evaporator
4	Impeller Ø230 mm., $\alpha=28^{\circ}$
5	Electric motor "ELCO" NU 9-20-2/094 (115V/50-60Hz) UL "WGmotors" YZF10-20-26 (10W)(110-120V/60Hz) or "EBM" M4Q045-CA-27-04 (115V/60Hz)
6	Thermostat "DIXELL" XR02CX-4N0F1 (115 V/ 60Hz)
7	Bath
8	Base
9	Grid
10	Handle
11	Overflow
12	Glycol pump «TOTTON» SPC 42 (115V/60Hz)
13	Filter-drier "DE-NA" GR-15 d6.1xd6.1xd2.5
14	Foot
15	Lid
16	Product coils