

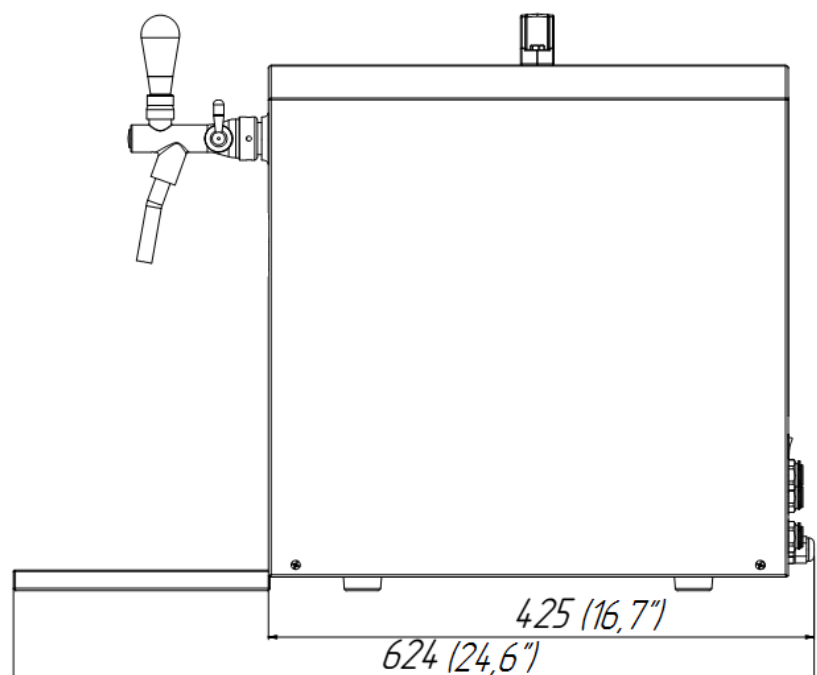
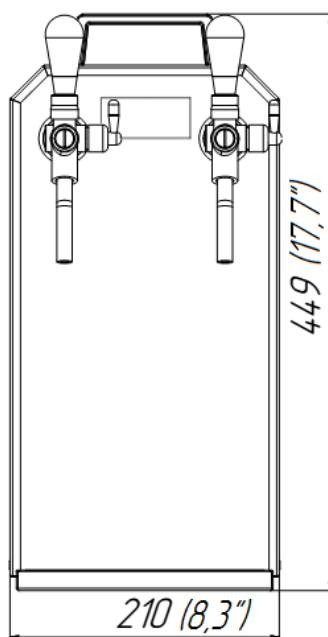
Beer-cooler Sputnik 1/6

Specifications



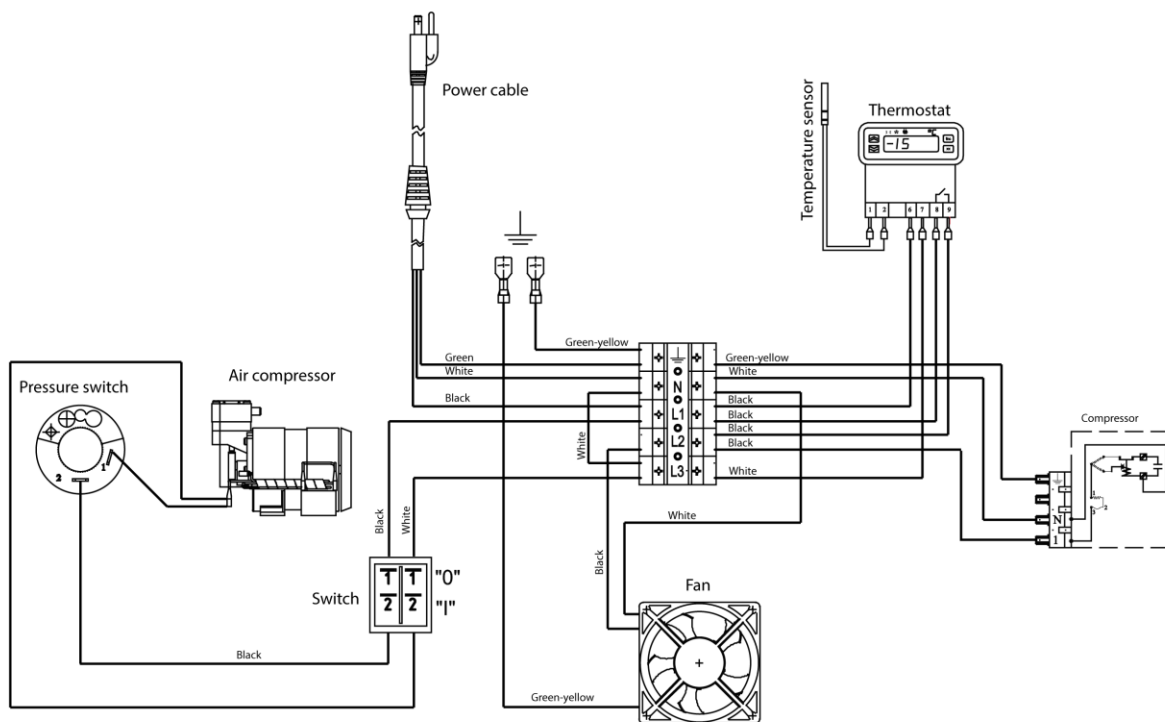
Internal number	408.00.000.00-XX
Part number	SPUTNIK 1/6 K
Compressor power, hp	1/5
Capacity, BTU/h, evap 20 °F	1825
Dedicated circuit, amp	15
Plug type (NEMA #)	5-15P ⚡
Voltage, V / frequency, Hz	115 / 60
Operating amperage, A	5.2
Refrigerant	R290
Outlet temperature, °F	32÷46
Operating ambient temperature, °F	60-90
Number of coils (st. steel AISI 304)	2
Coil's length, ft	46
	46
Inlet fitting, in	3/8
Width, in	8.3
Depth, in	24.6
Height, in	17.7
Weight gross/net, lb	77/73
Power cord length, ft	6

Overall dimensions

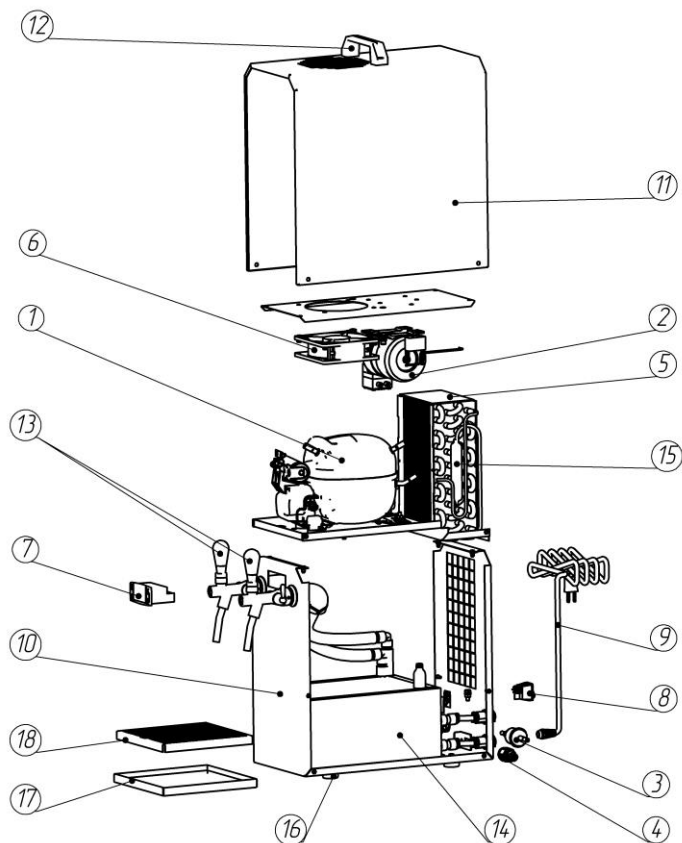


Beer-cooler Sputnik 1/6

Wiring diagram



Parts



1	Compressor «CUBIGEL» NLY45RRa (115V/60Hz)
2	Air compressor 15RNS 115V 60Hz
3	Air filter
4	Pressure switch
5	Condenser «KARYER» B-13147
6	Fan «SUNON» SP100A1123XBT (115V 50/60Hz)
7	Thermostat «DIXELL» XR02CX-4N0F1 (115V/60 Hz 20A)
8	Air compressor power switch «ARCOLECTRIC» C6053ALBG (Green)
9	Power cable NEMA 5-15P
10	Base
11	Cover
12	Handle «MESAN» code 086
13	Taps
14	Heat exchanger
15	Filter-drier «BVB» GR-15 6,1/2,5
16	Legs
17	Drip pan
18	Grid to drip pan