


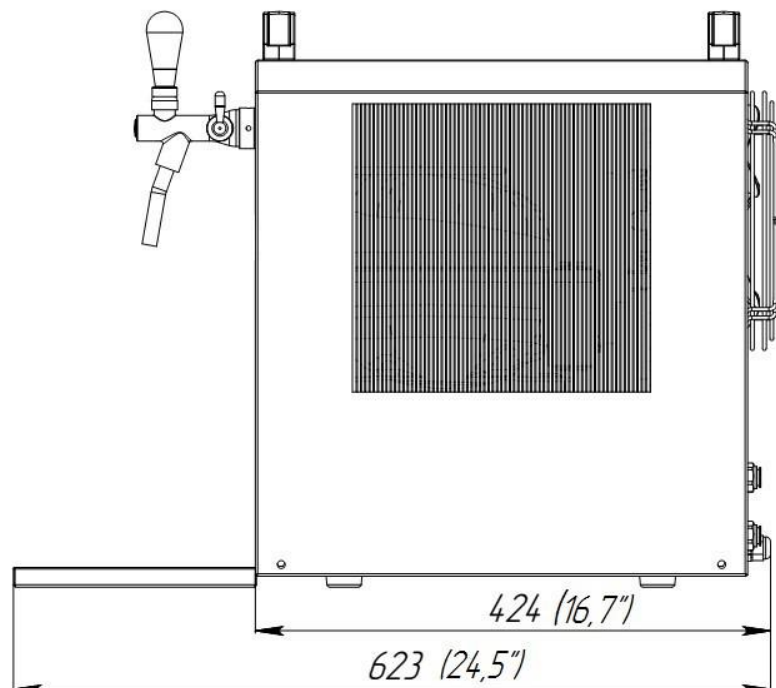
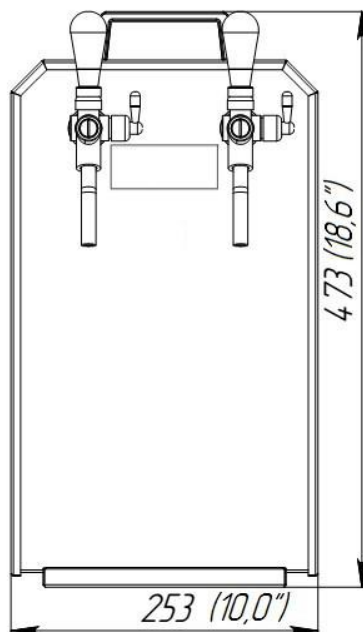
# Beer-cooler Sputnik 1/4

## Specifications



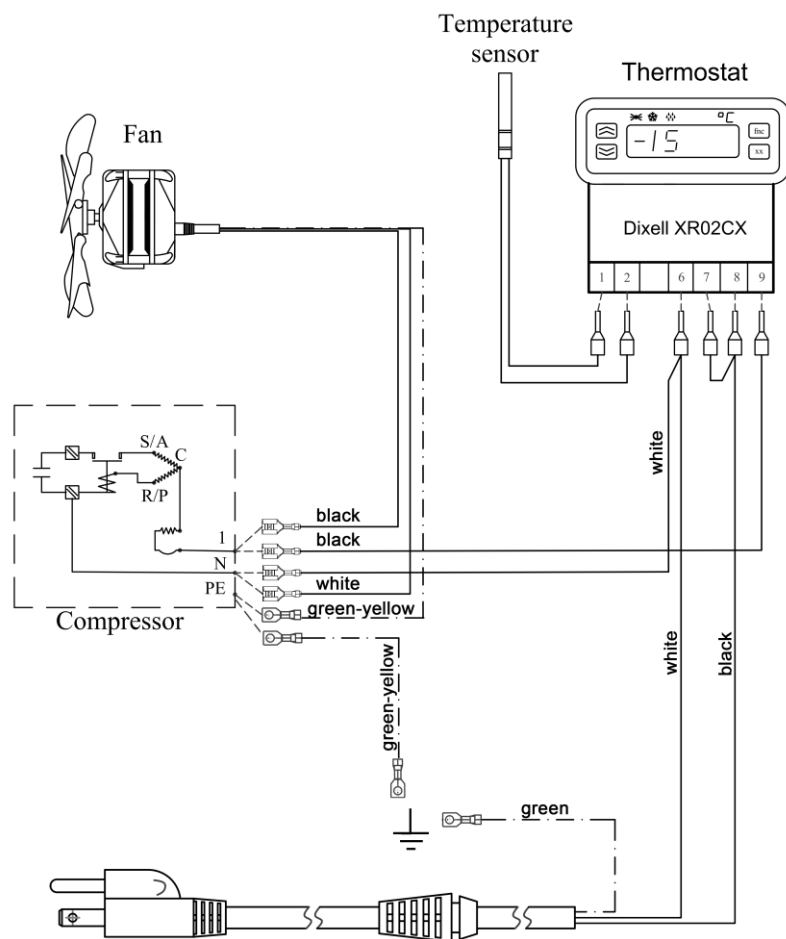
Internal number	400.00.000.00-XX
Part number	SPUTNIK 1/4 SPUTNIK 1/4SS
Compressor power, hp	1/4
Capacity, BTU/h, evap 20 °F	2510
Dedicated circuit, amp	15
Plug type (NEMA #)	5-15P 
Voltage, V / frequency, Hz	115 / 60
Operating amperage, A	6.9
Refrigerant	R290
Outlet temperature, °F	32÷46
Operating ambient temperature, °F	60-90
Number of coils (st. steel AISI 304)	2
Coil's length, ft	46
	46
Inlet fitting, in	3/8
Width, in	10.0
Depth, in	24.5
Height, in	18.6
Weight gross/net, lb	86/82
Power cord length, ft	6

## Overall dimensions

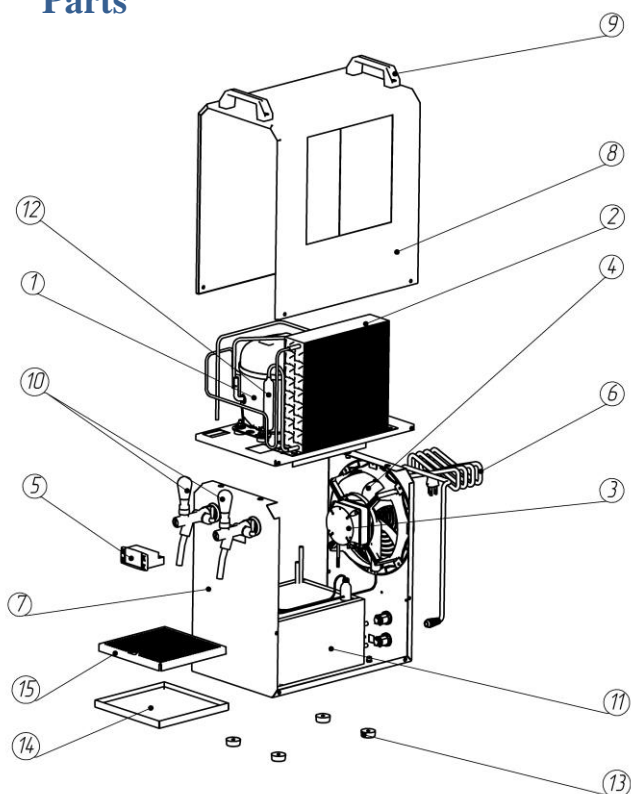


# Beer-cooler Sputnik 1/4

## Wiring diagram



## Parts



1	Compressor «CUBIGEL» NLY60RRa (115-127V 60Hz)
2	Condenser «LU-VE» STFT 16224
3	Fan «ELCO» NU 9-20-2/094 (115V/50-60Hz)
4	Impeller ø200 mm., $\alpha=34^{\circ}$
5	Thermostat «DIXELL» XR02CX-4N0F1 (115V/60 Hz 20A)
6	Power cable NEMA 5-15P
7	Base
8	Cover
9	Handle «MESAN» code 086
10	Taps
11	Heat exchanger
12	Filter-drier «BVB» GR-15 6,1/2,5
13	Legs
14	Drip pan
15	Grid to drip pan