

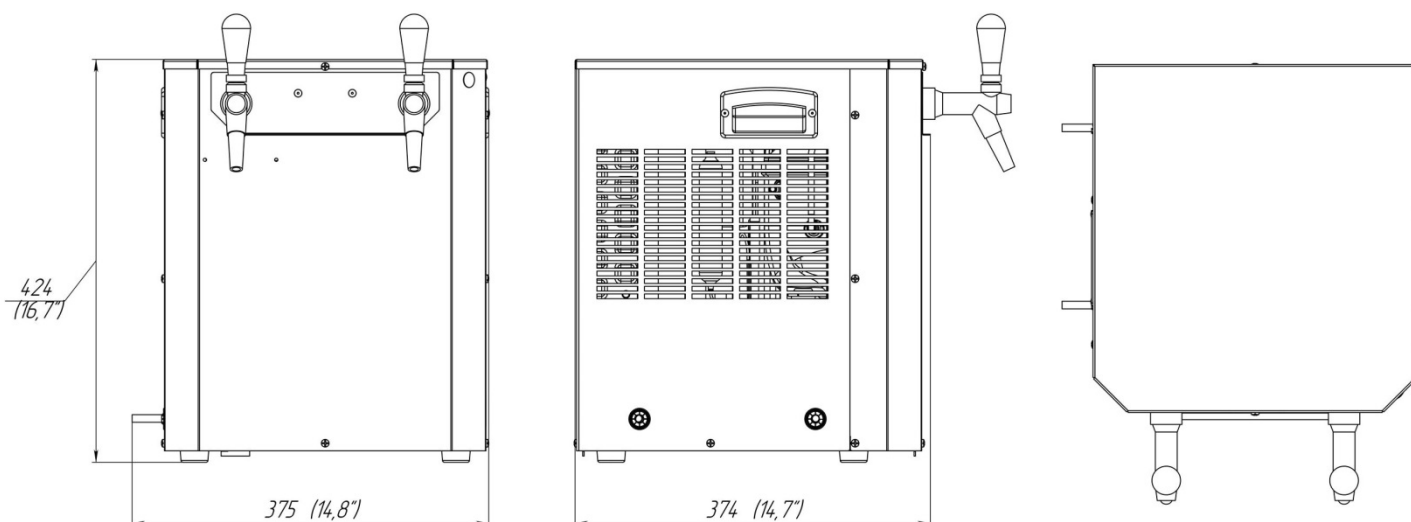
Beer-cooler Sputnik-1/4

Specifications



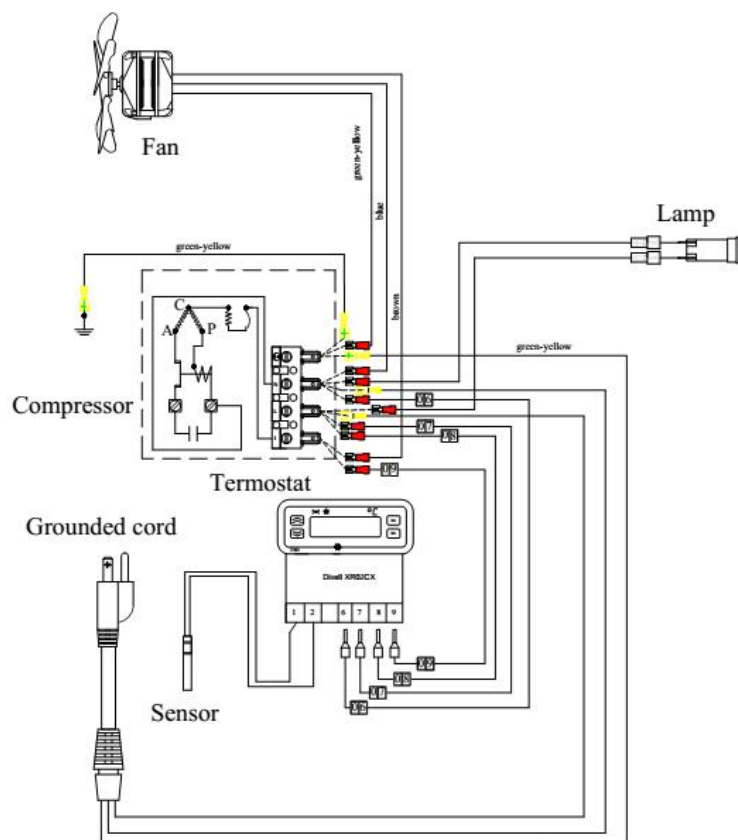
Part Number	400.00.000.00-10
Capacity, l/h ($\Delta T = 28^{\circ}F$)	50
Dedicated Circuit, amp	15 ⚡
Electrical network, V/Hz	115/60
Compressor Power, HP	1/4
Power consumption, Wt	416
Operating amperage, A	5.9
Refrigerant	R134a
Ready time ($T_{amb}=75^{\circ}F$), min	25
Outlet temperature, $^{\circ}F$	35,6-42,8
Number of coils	2
Width, in	14,8
Depth, in	14,7
Height, in	16,7
Net Weight, lbs	94,4
Power cord length, ft	6,6
Operating ambient temperature, $^{\circ}F$	75
Clearance	at least 12" around the entire unit
Refrigerant (R134a) charge, lb	0,53

Overall dimensions

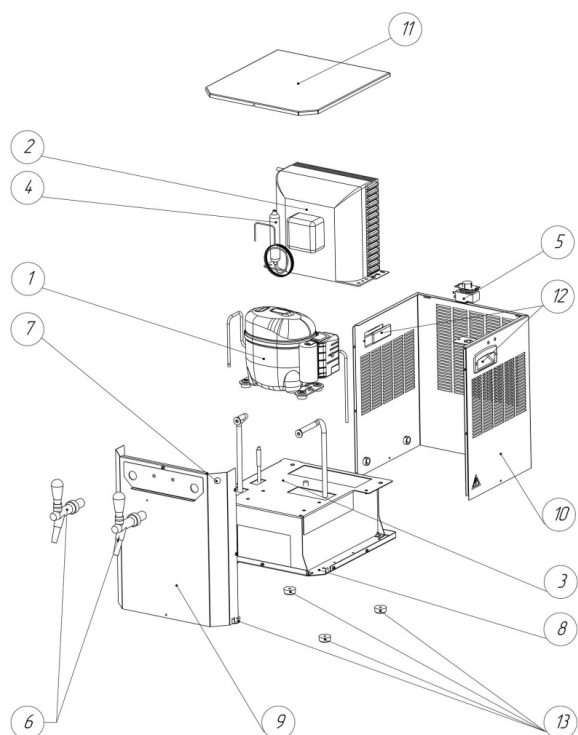


Beer-cooler Sputnik-1/4

Wiring diagram



Parts



1	Compressor "TECUMSEH" AE 4430 YAA (115V, 60Hz)
2	Air condenser "LU-VE" STVF - 139
3	Cool block
4	Filter dryer "BVB" GR-30
5	Thermostat Dixell XR02CX-4N0F1
6	Tap
7	Lamp
8	Base
9	Case
10	Case
11	Cover
12	Handle
13	Rubber legs