

Beer-cooler H-400T3

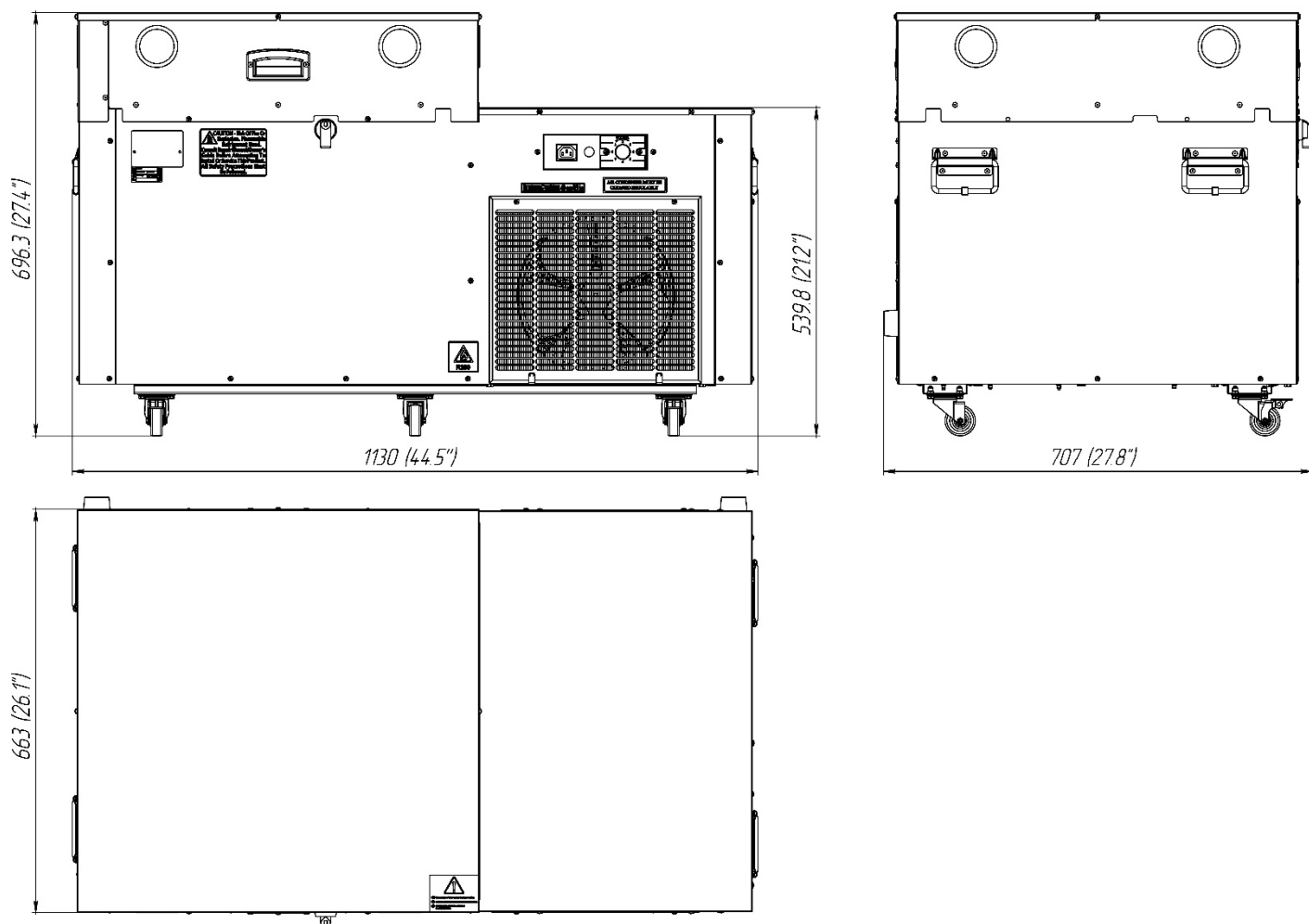
Specifications



Part Number	137.00.000.00
Electrical network, V/Hz	115/60
Dedicated circuit, amp	30
Compressor Power, HP	2 x 1/3
Operating amperage, A	17.2
Water Tank volume, Gal	30.9
Water Pump capacity, GPH/PSIG	250/10
Ice bank, lbs	116.8
Refrigerant	R290
Ice forming time (Tamb=75°F), h	6
Outlet temperature, °F	38÷46
Number of coils (st. steel AISI 304)	3 (CFT)
Coil's diameter, mm	Ø 8,0
Height, in	27.4
Width, in	44.5
Depth, in	27.8
Net Weight, lbs	
Power cord length, ft	6.6
Operating ambient temperature, °F	75÷90
Clearance	at least 12" around the entire unit
Refrigerant (R290) charge, lb	2x0.3
Cooler body	stainless steel

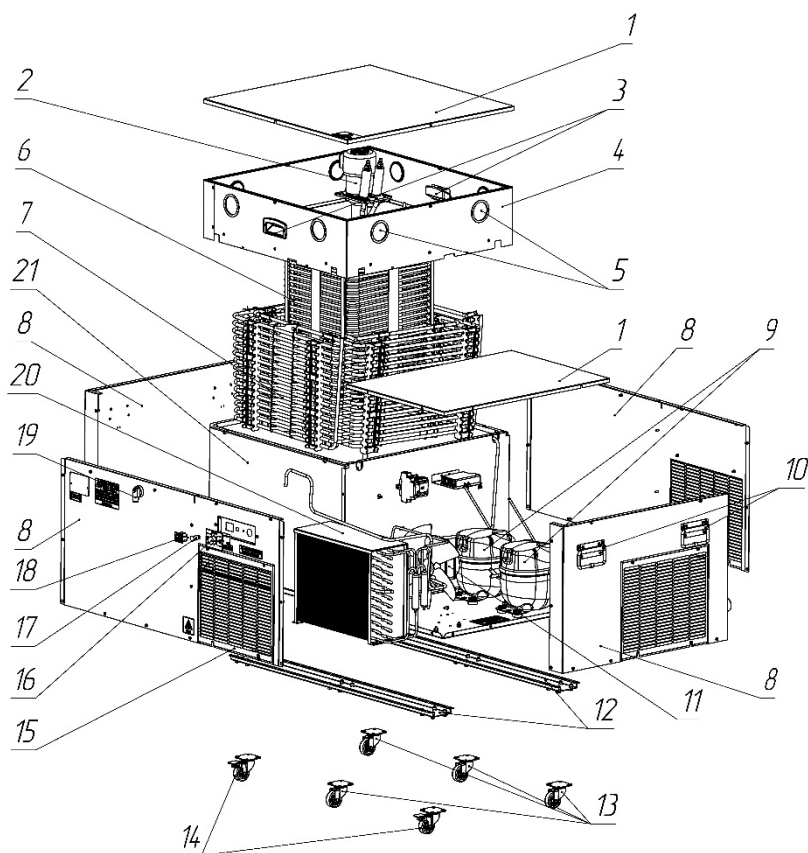
Beer-cooler H-400T3

Overall dimensions



Beer-cooler H-400T3

Parts



1	Cap
2	Water Pump "Totton" SPC 42 115-60
3	Handle
4	Case
5	Cover
6	Heat exchanger
7	Evaporator
8	Wall
9	Compressor "EMBRACO" NEK6210U
10	Handle
11	Electric motor M4Q 045-DA13-04
12	Booster
13	Wheels with brakes
14	Wheels without brakes
15	Water tank
16	Thermostat "Ranco" K50H2005003
17	Electric light
18	Electrical connector R302SN 250V 10A
19	Overflow
20	Air Condenser "KARYER" STVF-194
21	Water tank