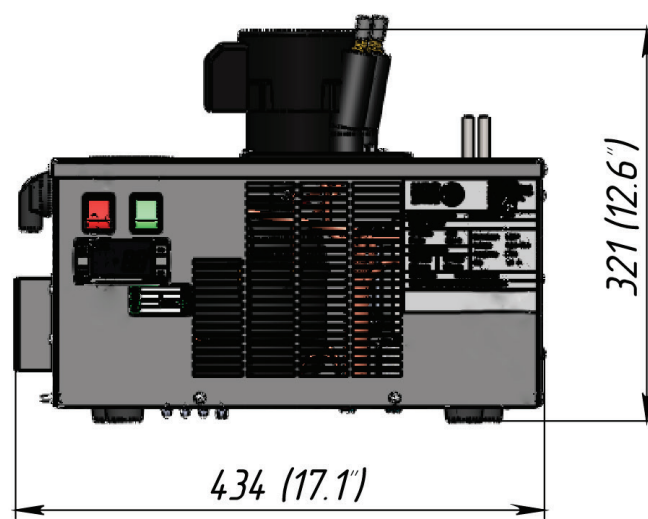
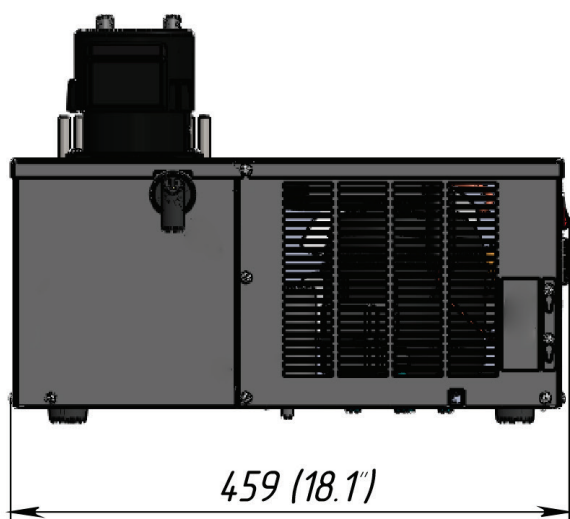


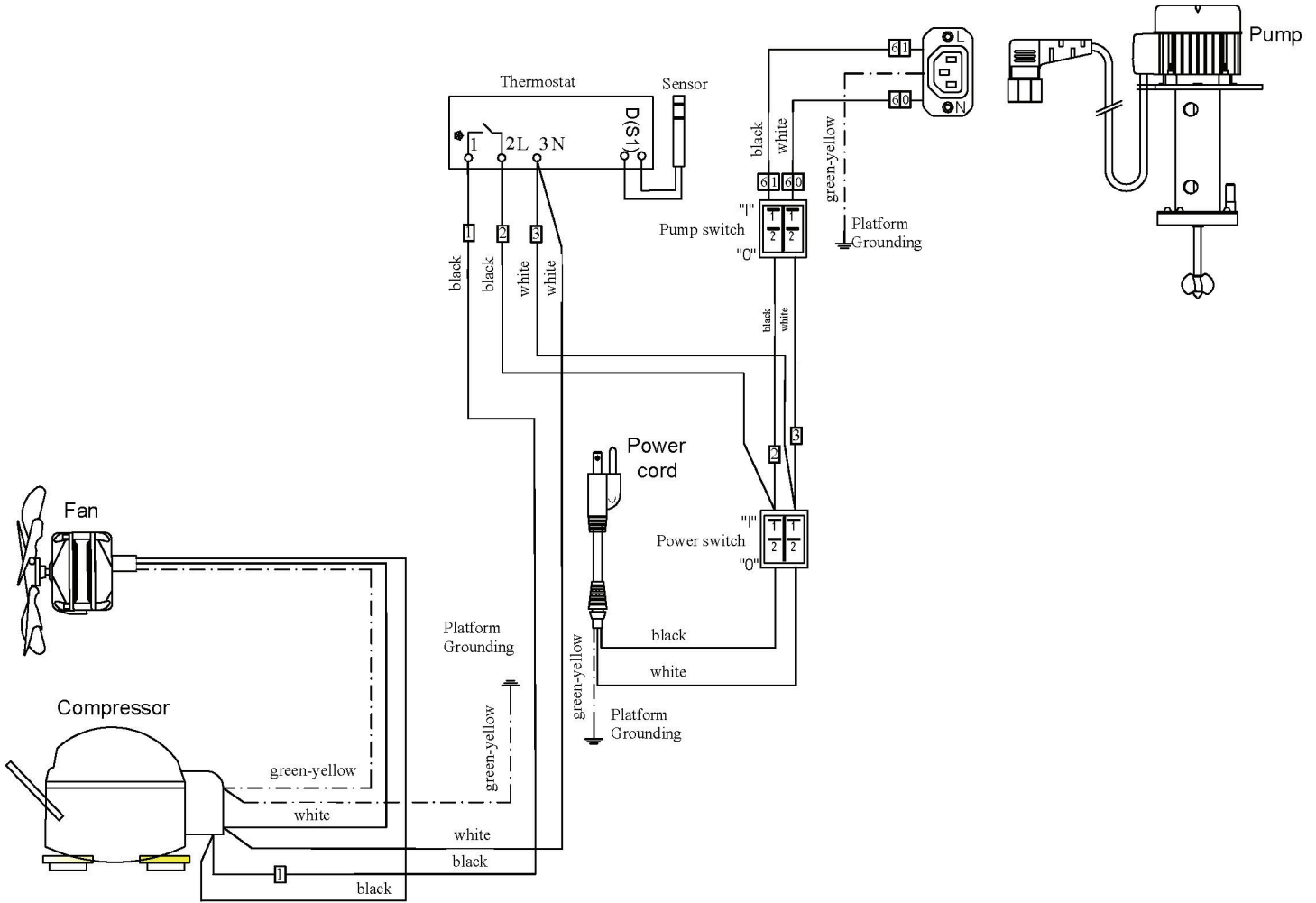


DIMENSIONS



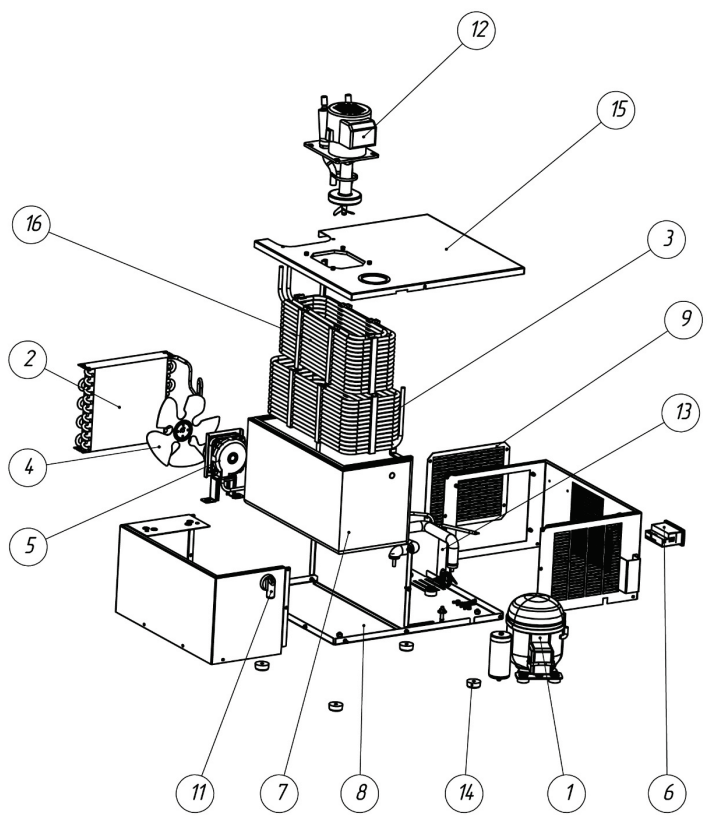
SPECIFICATIONS

INTERNAL NUMBER	107.00.000.00-XX
PART NUMBER	FC-20
Capacity, BTU/h, evap 20 °F	1150
ICE BANK, BTU	No ice
INITIAL PULL DOWN TIME (Tamb=77°F), min	20
WATER TANK CAPACITY, GAL	1.8
COMPRESSOR POWER, HP	1/7
RUNNING, AMP	3.7
PLUG TYPE (NEMA #)	5-15P ⚠
VOLTAGE, V	115
FREQUENCY, HZ	60
PUMP TYPE	Agitator-pump
OUTLET TEMPERATURE, °F	45÷48
PRODUCT LINES (ST. STEEL AISI 304) pcs	2
COIL'S DIAMETER, MM (IN)	Ø 8.0 (5/16)
COIL'S LENGTH, M (FT)	10.6(34.7) / 9.3(30.5)
REFRIGERANT	R290
REFRIGERANT CHARGE, G (OZ)	75 (2.64)
WEIGHT GROSS/NET, LB	53 / 49
POWER CORD LENGTH, FT	6
OPERATING AMBIENT TEMPERATURE, °F	60-90
CLEARANCE AT LEAST	12" around the entire unit



WIRING DIAGRAM

PARTS



1	Compressor "EMBRACO" EMI 50UER (115-127 V/60Hz) or "CUBIGEL" NBC30NR (115V, 60Hz) or "SECOP" DLE4CN (115-127V/60Hz)
2	Air condenser "JINAN RETEK" B-31558
3	Evaporator
4	Impeller $\varnothing 172$ mm., $\alpha=28^\circ$
5	Electric motor "ELCO" NU 4-13-2 115 V, 60/50 Hz or "ELCO" NUI 5-13-2 115 V, 60/50 Hz or "SW" YZ6-13 (6W)(110- 120V/60Hz)
6	Thermostat "ELIWELL" EWPlus 961 EW17Y10XB4A02 (115 V/ 60Hz) or "DANFOSS" ERC 111A (115 V/ 60Hz)
7	Water tank
8	Capillary tube 2.0x0.8x2600 mm
9	Grid fan
10	Connector R302SN 250V 10A
11	Overflow
12	Agitator-pump "UBC" YDK30-2A05) (115V, 60 Hz)
13	Filter-drier "DE-NA" GR-15 d6.1x6.1xd2.1
14	Foot
15	Cover
16	Product coils
17	Power switch "ARCOLECTRIC" C6053ALBR (Red)
18	Power switch "ARCOLECTRIC" C6053ALBG (Green)