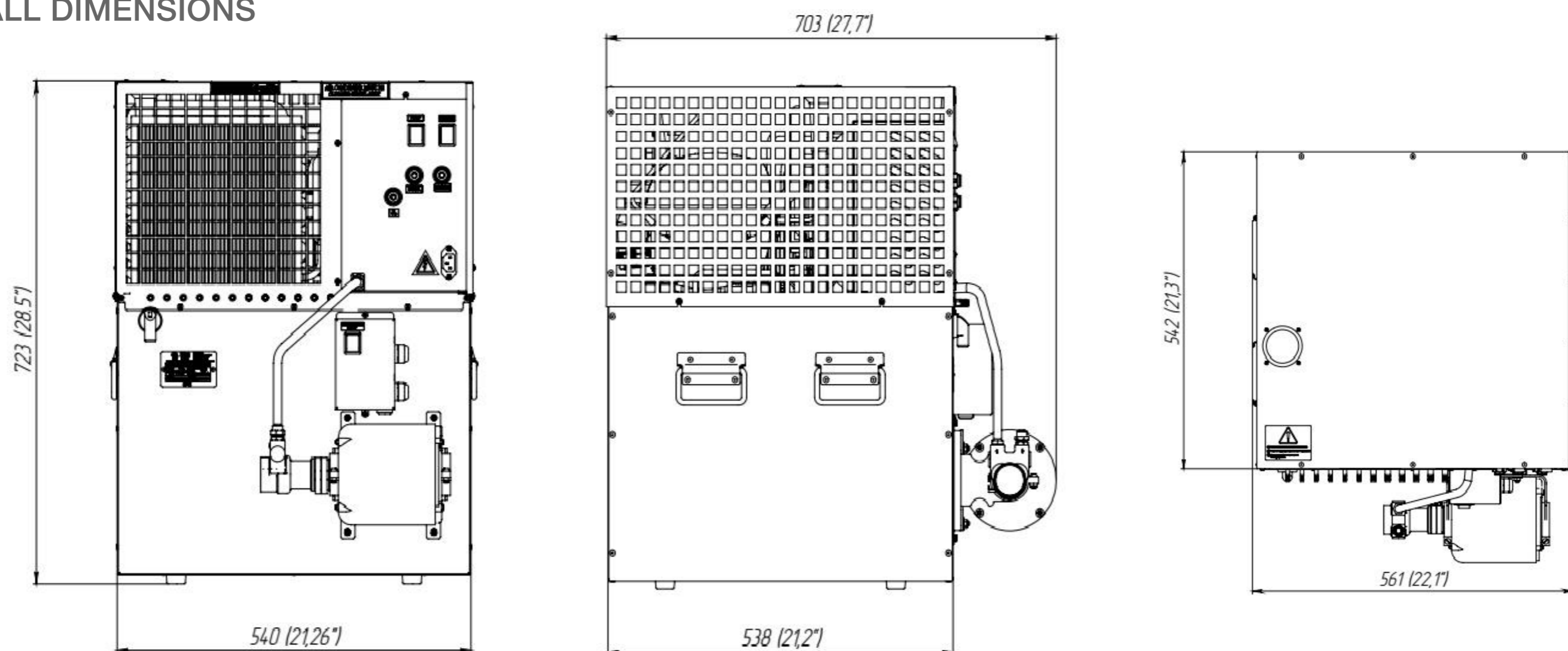


SPECIFICATIONS

Internal Number	0.00-03
Part Number	S600-12T6
Voltage, V / frequency, Hz	115V / 60Hz
Current, A	9,8
Water tank volume, gal	18
Ice bank, lb	78,5
Compressor Power, hp	1/2
Pump-mixer Type	Vertical
Refrigerant	R134a
Width, in	22.1
Depth, in	27.7
Height, in	28.5
Weight Gross/Net, lb	--- /159.6
Power cord length, ft	8
Pressure of supplied water / syrups, bar	4,1
Pressure CO2 applied to the carbonator, bar	5,2
Operating ambient temperature, F	60-90
Product outlet temperature, F	33.8-40
Number of product coils, pcs	1-6
Clearance at least	12" around the entire unit
Maximum Distance, in	up to 15"



OVERALL DIMENSIONS



CANADA

UBC COOL CANADA INC
1715 MEYERSIDE DRIVE, UNIT 7-9,
MISSISSAUGA, ON, CANADA, L5T1C5

ph.: +1 (905) 629-2597
Toll Free: +1 (866) 995-9965
fax.: +1 (905) 629-2577
Email: info@beer-co.ca

USA

UBC DISTRIBUTION USA INC
65 NORTH CENTRAL DR.
O'FALLON, MO 63366

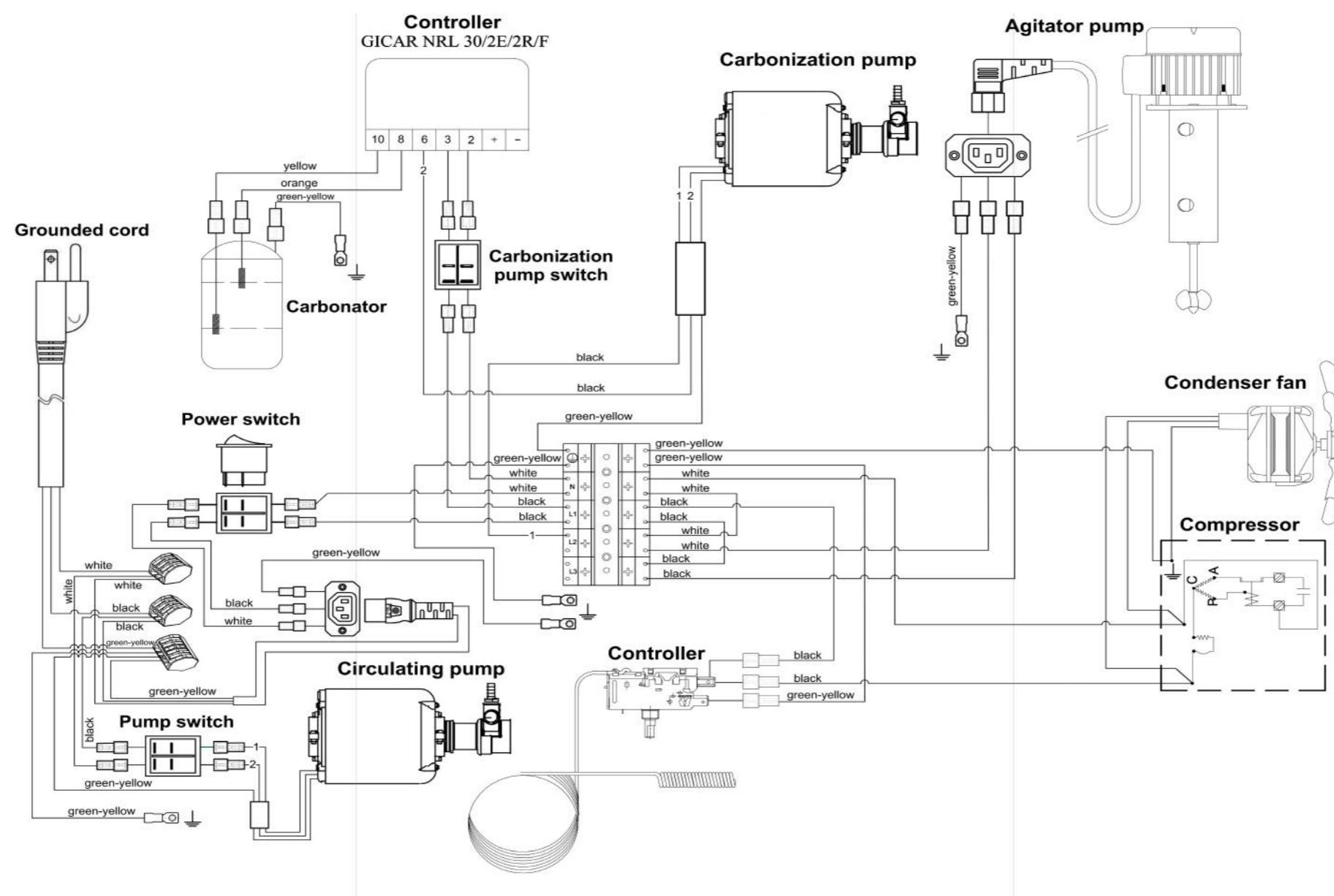
ph.: +1 (636) 379-2226
Toll Free: +1 (888) 808-9286
fax.: +1 (866) 659-8904
Email: info@beer-co.us

MÉXICO

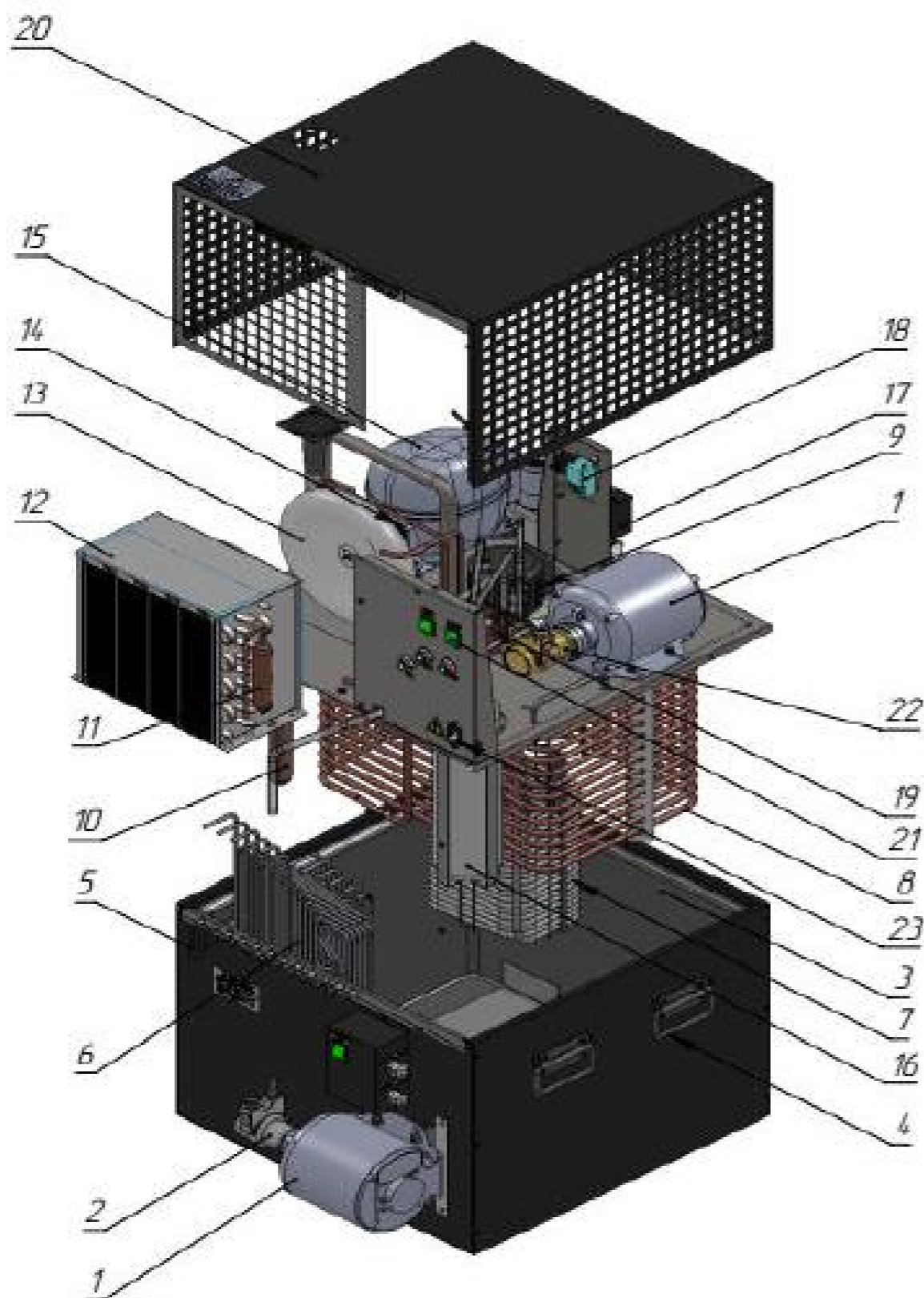
GRUPO CERVECERO UKRANIANO,
S.A DE C.V. TOKIO 714, PORTALES SUR,
BENITO JUÁREZ CIUDAD DE MÉXICO 03300

Tel: +52 (55) 2624 3458
Cel: +52 1 (55) 48668127
Email: s.reaskos@beer-co.com.mx

WIRING DIAGRAM



PARTS



1	Electromotor 5KH32FN5586MX Motors
2	Pump recycling Fluid-o-Tech PA2501 (permissible replacement: "PROCON", model 113050F34XX)
3	Bath
4	Handle
5	Overflow
6	Heat exchangers for syrups
7	Water heat exchangers
8	Evaporator
9	Pump-mixer "Saber" SK-20"
10	Boiling refrigerant - battery d 30x200 mm 8,1x10,1 2A
11	Filter drier "BVB" GR 30-6,1x3,1
12	Air condenser "KARYER" B-17210 copper-aluminum
13	Impeller D230mm, 28° (type "V")
14	Fan electric motor "ELCO" NU 9-20-2/094 , UL
15	Compressor "EMBRACO" NEU 6214Z
16	Carbonator ODL G-410272
17	Controller level GICAR NRL30 / 2E / 2R / F
18	Thermostat "RANCO" K50H2005003
19	Throttle
20	Cap
21	Switch C6053AL Green 125V 20A
22	Pump carbonated "PROCON", model 111A100F11AA
23	Electric socket IEC 320-C14