

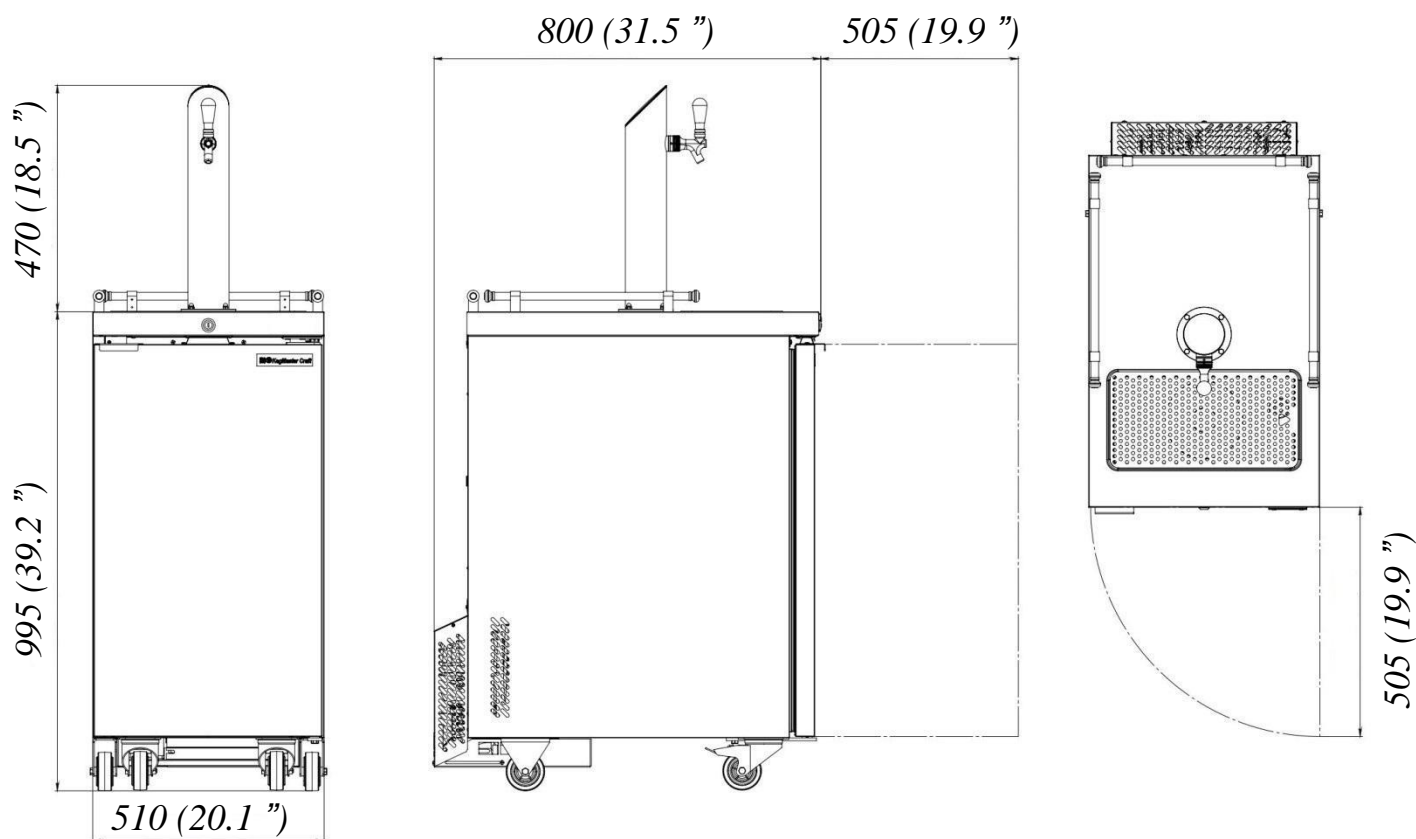
KegMaster Craft

Specifications



Part Number	502.00.000.00
Electrical network	115V, 60Hz
Compressor Power, HP	1/6
Power consumption, Wt	235
Operating amperage, A	3.4
Internal volume, l	185
Net volume, l	165
Refrigerant	R134a or R290
The temperature in the inner volume, °C	-2 ÷ +4
Width, mm	510
Depth, mm	800
Height, mm	995
Height of the column, mm	1465
Net Weight, kg	58
Power cord length, m	2
Operating ambient temperature, °C	18÷32
Clearance	Ask your dealer
Refrigerant (R-134) charge, kg	0,135
Maximum capacity keg container (30l slim/20l slim), pcs	2/2
Thermostat	ETC 1H1 (120V,60Hz)

Overall dimensions



KegMaster Craft

Wiring diagram

