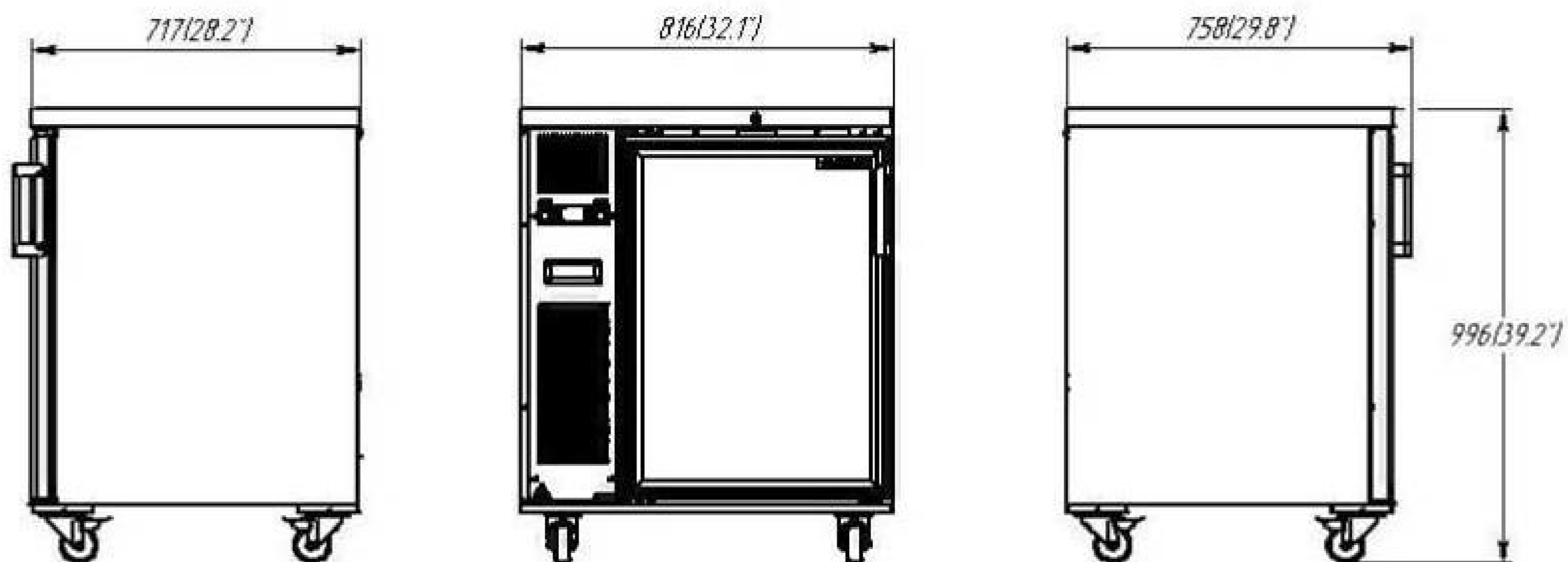


### SPECIFICATIONS

|  |                                      |
|--|--------------------------------------|
| Internal Number                                  | 515.00.000.00-01                     |
| Part Number                                      | KegBar BB-100                        |
| Capacity, GPH ( $\Delta T = 36^{\circ}F$ )       |                                      |
| Dedicated Circuit, amp                           | 15                                   |
| Compressor Power, HP                             | 1/3+                                 |
| Power consumption, Wt                            | 650                                  |
| Operating amperage, A                            | 2.8                                  |
| Internal volume, l                               | 232                                  |
| Net volume, l                                    | 198                                  |
| Refrigerant                                      | R134a                                |
| The temperature in the inner volume, $^{\circ}C$ | 1 $\div$ 3                           |
| Width, mm  | 816                                  |
| Depth, mm  | 758                                  |
| Height, mm                                       | 996                                  |
| Height of the column, mm                         | 1463                                 |
| Net Weight, kg                                   | 36,3                                 |
| Power cord length, m                             | 3                                    |
| Operating ambient temperature, $^{\circ}C$       | 24 $\div$ 32                         |
| Clearance  | at least 30cm around the entire unit |
| Refrigerant (R134a) charge, kg                   | 0,3                                  |



### OVERALL DIMENSIONS



CANADA

UBC COOL CANADA INC  
1715 MEYERSIDE DRIVE, UNIT 7-9,  
MISSISSAUGA, ON, CANADA, L5T1C5

ph.: +1 (905) 629-2597  
Toll Free: +1 (866) 995-9965  
fax.: +1 (905) 629-2577  
Email: info@beer-co.ca

USA

UBC DISTRIBUTION USA INC  
65 NORTH CENTRAL DR.  
O'FALLON, MO 63366

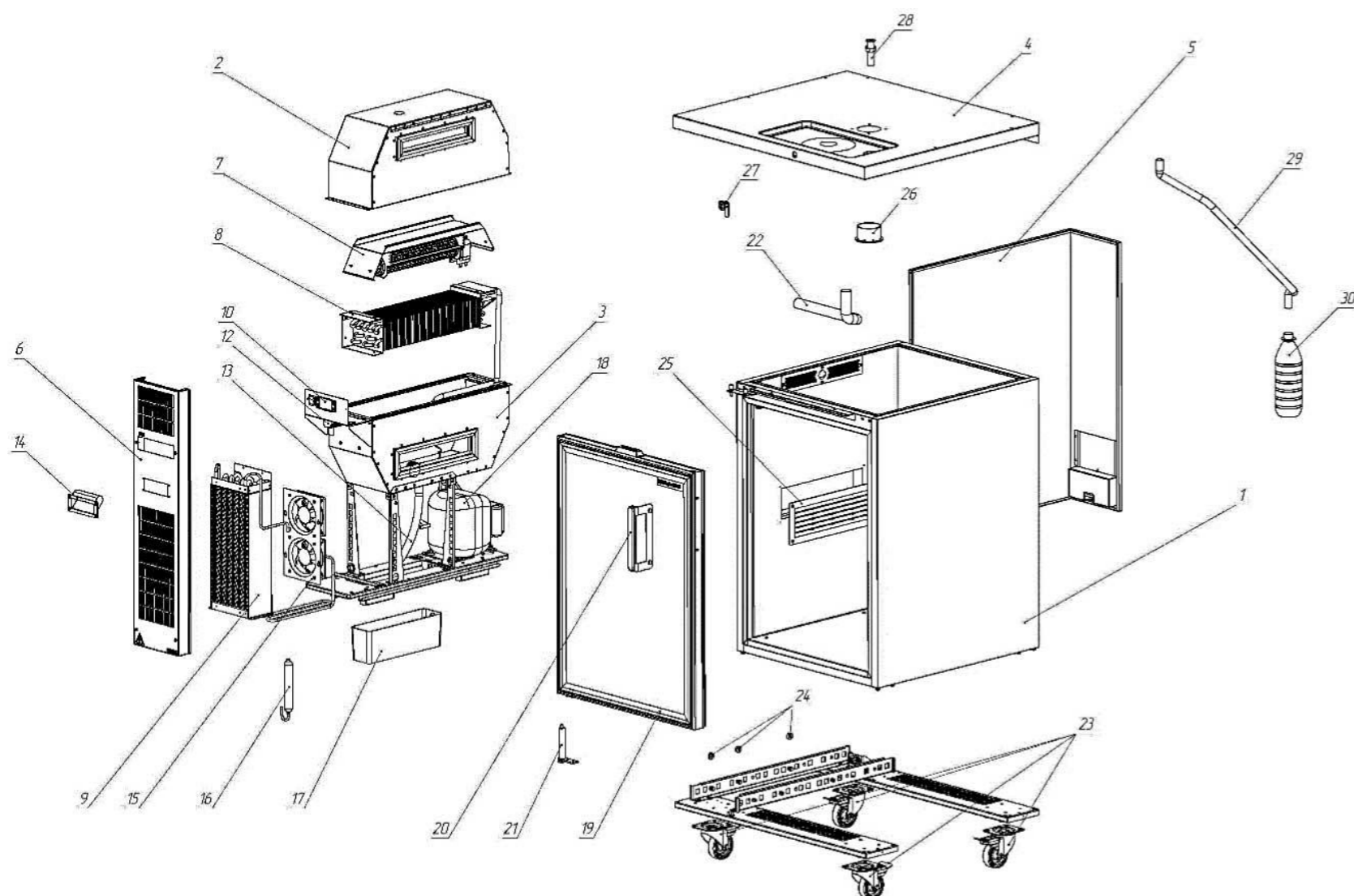
ph.: +1 (636) 379-2226  
Toll Free: +1 (888) 808-9286  
fax.: +1 (866) 659-8904  
Email: info@beer-co.us

MÉXICO

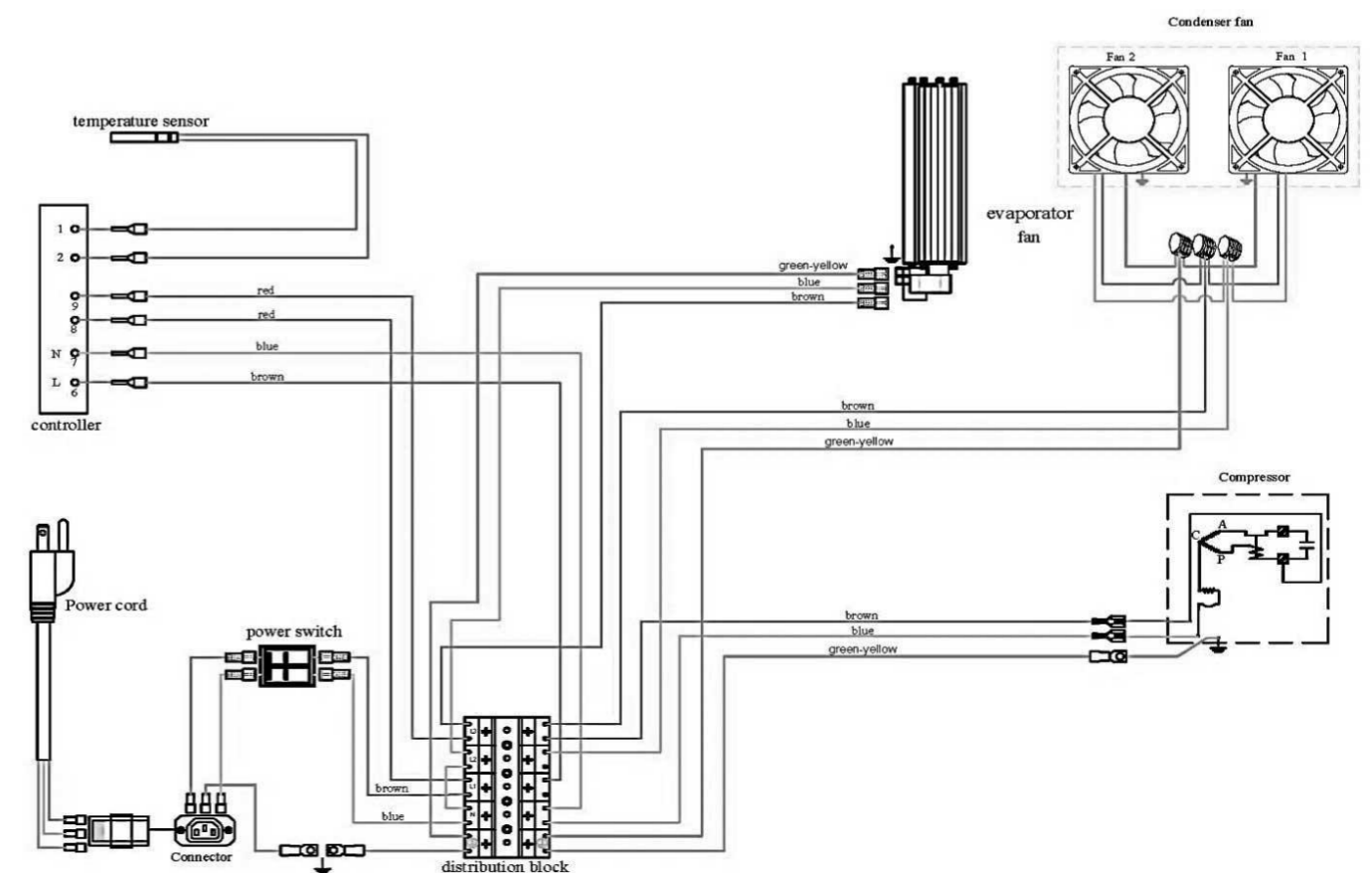
GRUPO CERVECERO UKRANIANO,  
S.A DE C.V. TOKIO 714, PORTALES SUR,  
BENITO JUÁREZ CIUDAD DE MÉXICO 03300

Tel: +52 (55) 2624 3458  
Cel: +52 1 (55) 48668127  
Email: s.reaskos@beer-co.com.mx

### PARTS



### WIRING DIAGRAM



### PARTS

|    |   |    |  |
|----|---|----|--|
| 1  | Housing   | 17 | Compressor "EMBRACO" NE 6187 Z             |
| 2  | Upper cover assembly                              | 18 | Door                                       |
| 3  | Lower cover assembly                              | 19 | Door handle                                |
| 4  | Board   | 20 | Bracket VKHU.301568.038                    |
| 5  | Rear wall   | 21 | Hose REHAU RAUALCO SK-017-029 RAU PVC 8766 |
| 6  | Wall  | 22 | Wheel KASTOR 3104-S-080-P                  |
| 7  | Evaporator fan "Fergas" NCBLL60x300R 16-270 K1321 | 23 | Bearing 80026                              |
| 8  | Finned KARYER B-13148                             | 24 | Ventilation grid DV-350                    |
| 9  | Air condenser GRAN 3140376                        | 25 | Bush                                       |
| 10 | Thermostat "DIXELL" XR02CX4N0F1                   | 26 | Mechanical lock "Banggu"                   |
| 11 | Terminal pod KL-5P                                | 27 | Connection                                 |
| 12 | Hose  | 28 | Hose food                                  |
| 13 | Handle  | 29 | Plastic bottle                             |
| 14 | Condenser fan "NMB-MAT" mod.4715MS-23T-B50-MA0    |    |  |
| 15 | Filter drier "BVB" GR-40                          |    |  |
| 16 | Tub to collect meltwater                          |    |  |