

Flash Chiller Tayfun-120V

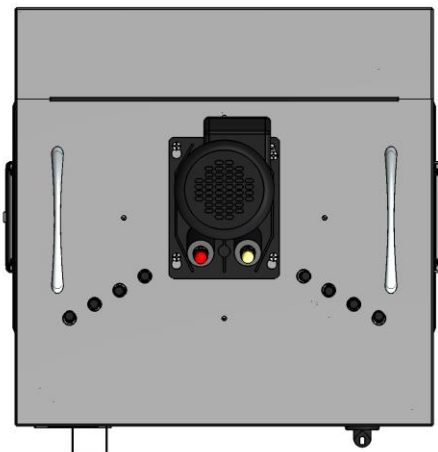
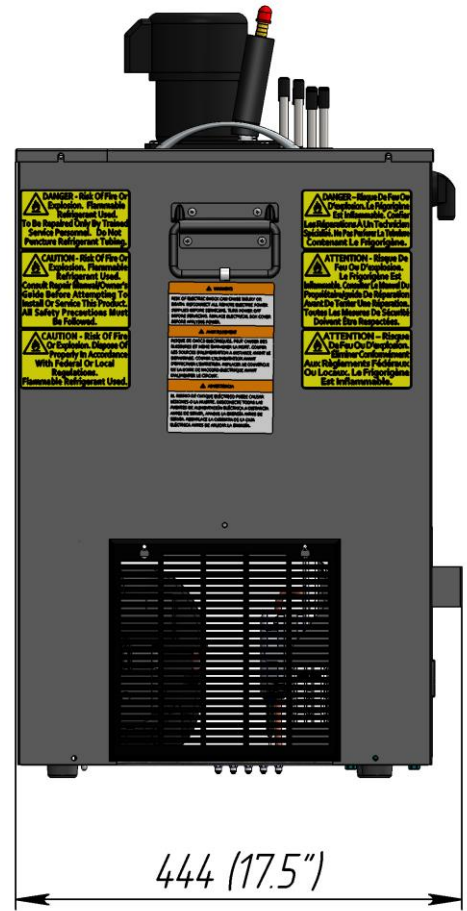
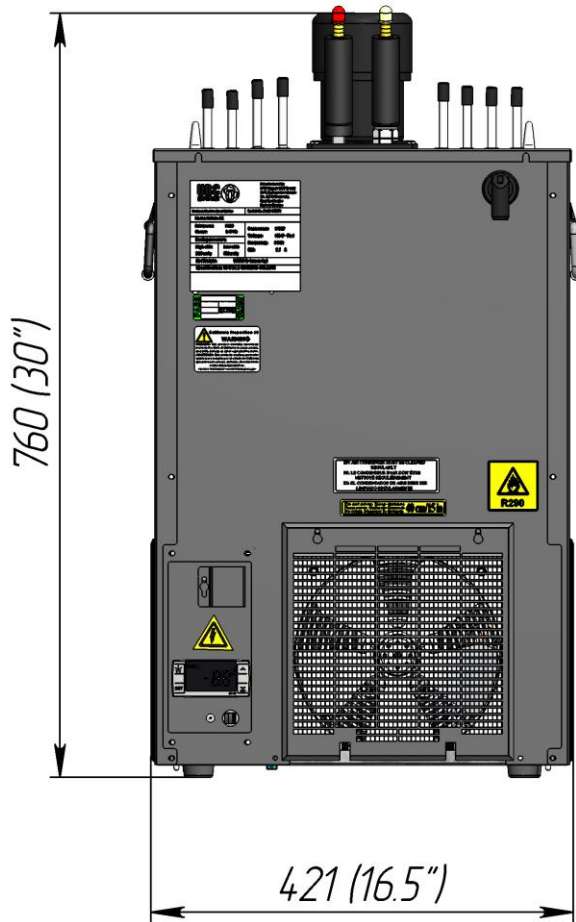
Specifications



Internal number	010.00.000.00-XX
Part number	T120F-1/3T4
Capacity, BTU/h, evap 20 °F	2600
Ice bank, BTU/h	5500
Compressor power, hp	1/4
Dedicated circuit, amp	15
Plug type (NEMA #)	5-15P ⚠
Voltage, V / frequency, Hz	115 / 60
Operating amperage, A	7.5
Refrigerant	R290
Outlet temperature, °F	32÷46
Operating ambient temperature, °F	60-90
Product lines (st. steel AISI 304)	4
OD product lines, in	5/16
Coil's length, ft	49
	49
	49
	46
Width, in	16.5
Depth, in	17.5
Height, in	30
Weight gross/net, lb	97 / 90
Power cord length, ft	6
Inlet/Outlet barb, in	3/8
Clearance at least	12" around the entire unit

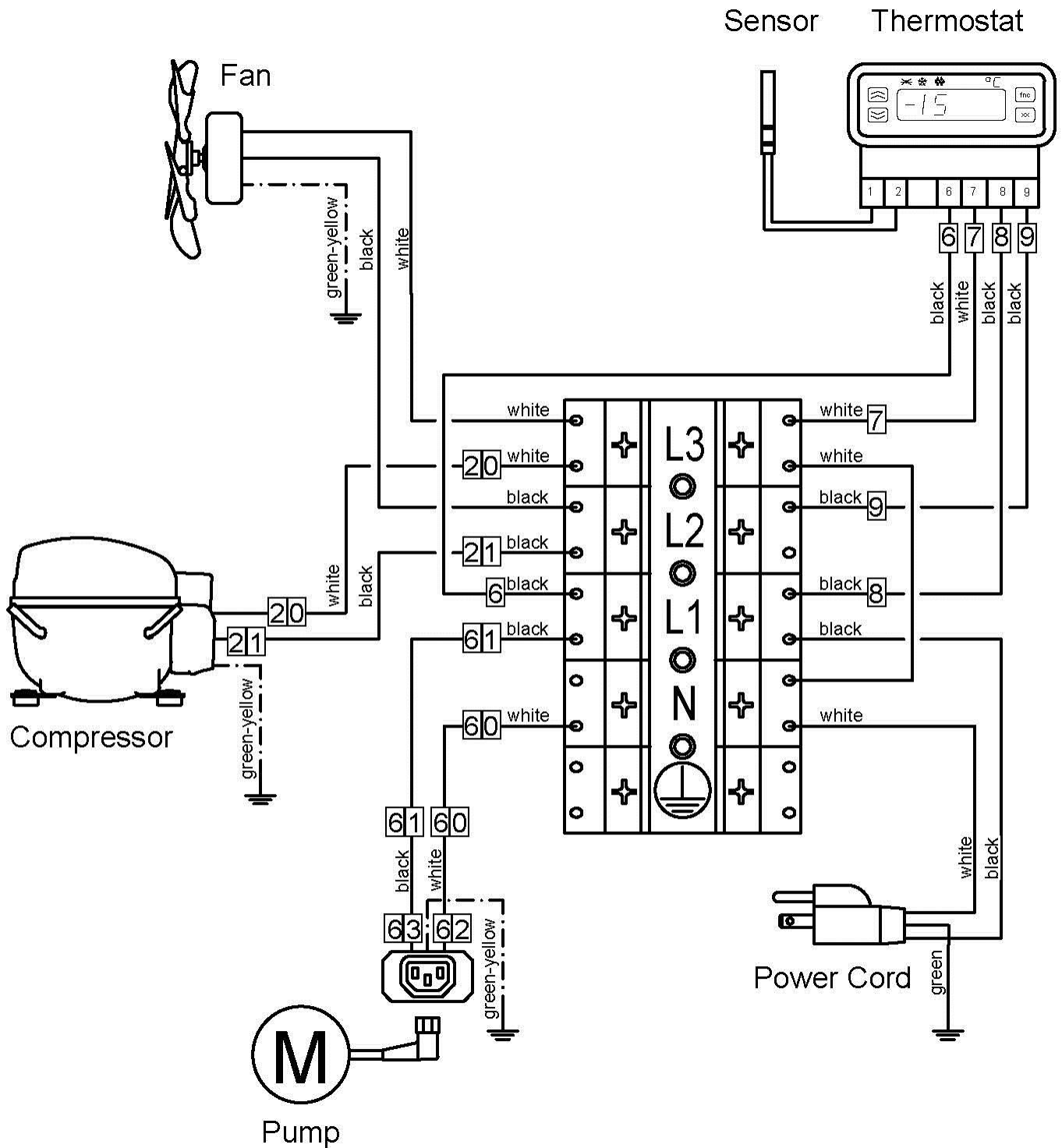
Flash Chiller Tayfun-120V

Overall dimensions



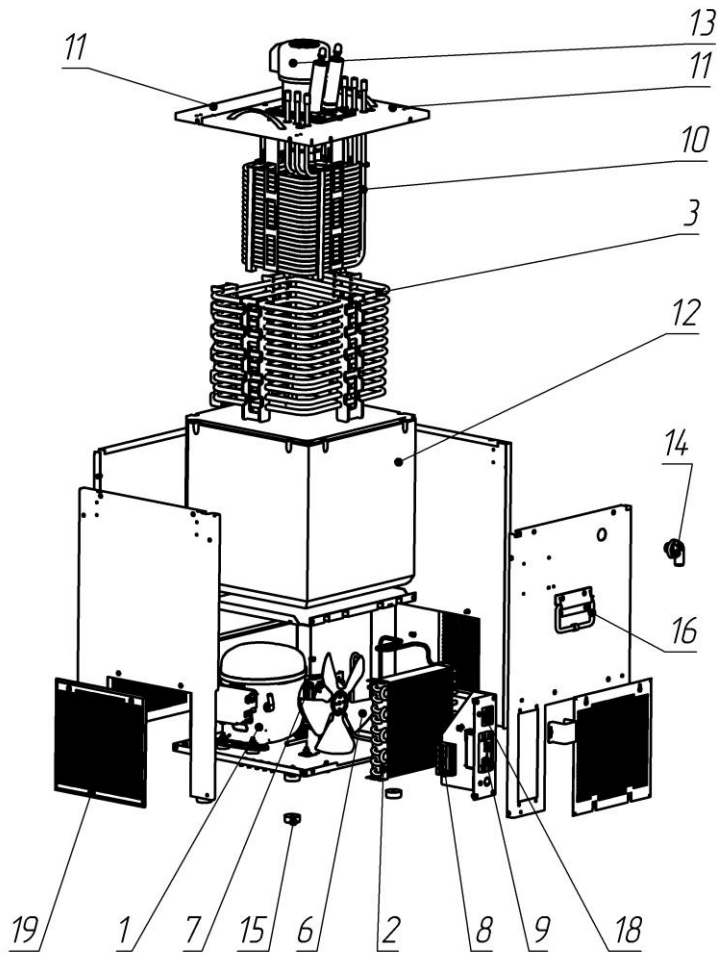
Flash Chiller Tayfun-120V

Wiring diagram



Flash Chiller Tayfun-120V

Parts



1	Compressor "EMBRACO" NEU 6181 U or "SECOP" NLE8.0CN 115-127 V/60Hz or CUBIGEL NLY75RRa (115-127V 60Hz)
2	Air condenser "KARYER" STFT 14221
3	Evaporator
5	Filter-drier "DE-NA" GR-15 d6.1xd6.1xd2.5
6	Impeller Ø200 mm., $\alpha=28^\circ$
7	Electric motor or "ELCO" NU 4-13-2/236 115 V, 60/50 Hz or "WGMOTORS" YZF6-13-26 (6W) (120V-60Hz) or "EBM" iQC3612-010415/A01 (100-240V 50/60 Hz)
8	Terminal block "WAGO" KL-5
9	Thermostat "DIXELL" XR02CX-4N0F1 (115 V/ 60Hz)
10	Coils
11	Lid
12	Bath
13	Pump «TOTTON» SPC 42 (115V/60Hz)
14	Overflow
15	Foot
16	Handle
17	Capillary tube 2.4x0.575
18	Connector R302SN 250V 10A
19	Plastic grid