

# Glycol Chiller Kalinka 2

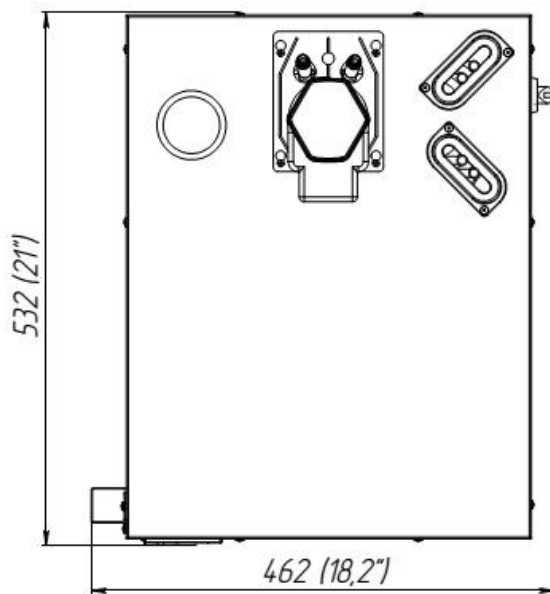
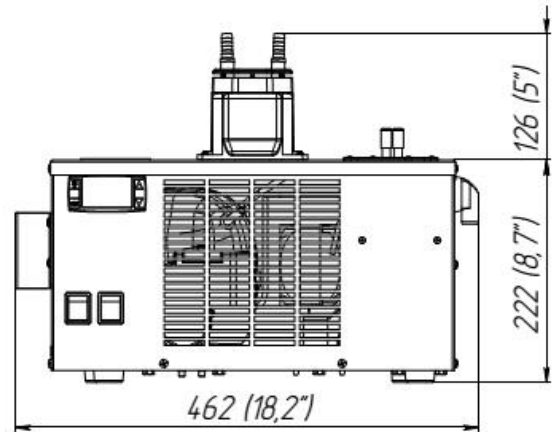
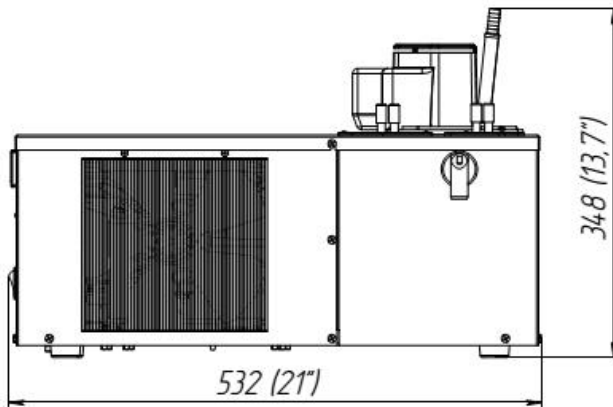
## Specifications



Internal Number	107.00.000.00-01
Part Number	KF-1/6T2
Maximum Distance, ft	up to 25'
Capacity, BTU/H evap 20 F	1150
Glycol tank capacity, gal	1,77
Dedicated Circuit, amp	15
Compressor Power, hp	1/7+
Pump Type	Vertical
Pump Capacity, GPH	135
Optional Additional Pump	n/a
Refrigerant	134a
Width, in	18,2
Depth, in	21
Height, in	12,3
Weight Gross/Net, lb	61,0 / 50,0
Power cord length, ft	6
Inlet/Outlet Barb, in	3/8'
Operating ambient temperature, F	60-90
Clearance at least	12" around the entire unit
Glycol mixture, %	40% glycol and 60% water

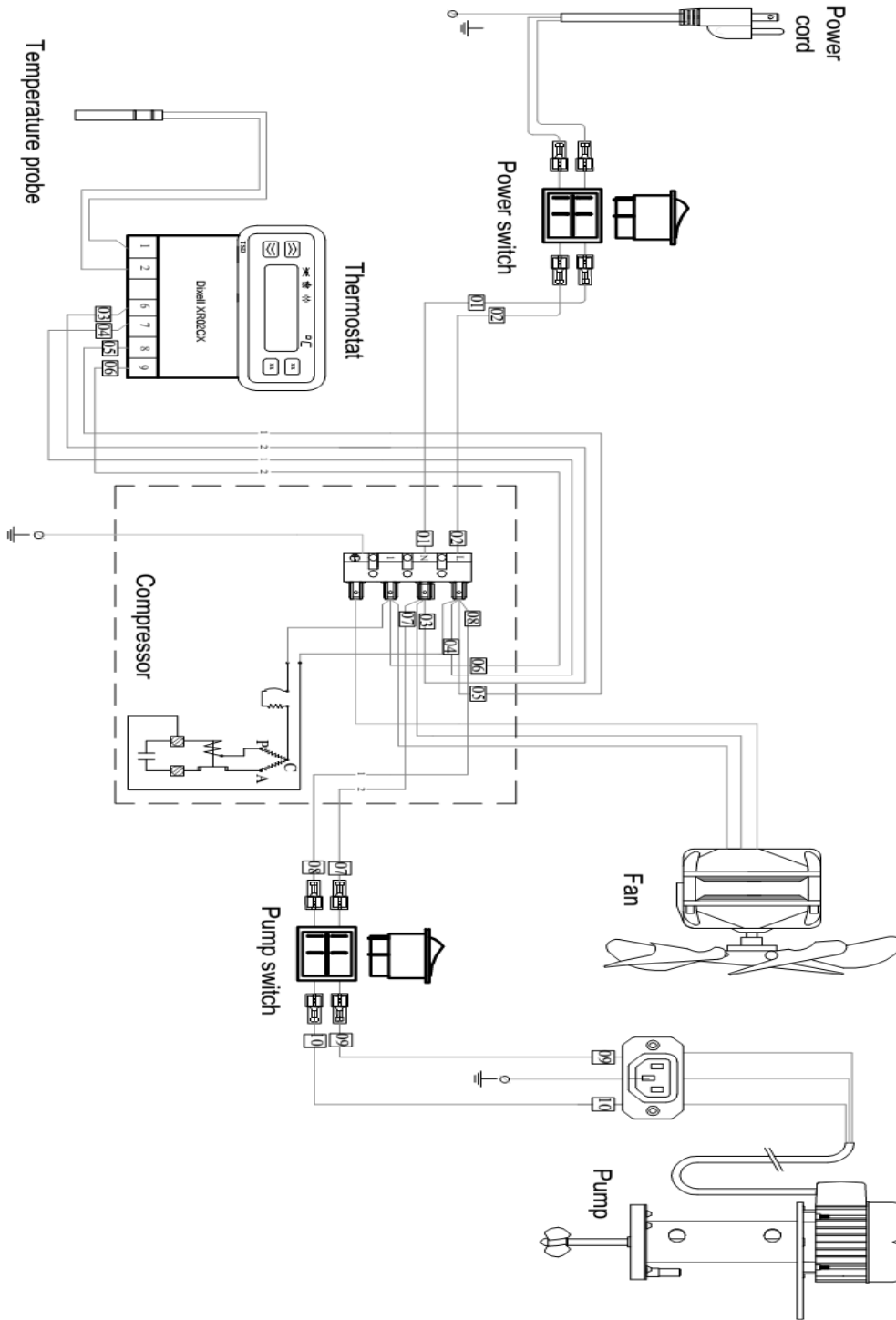
# Glycol Chiller Kalinka 2

## Overall dimensions



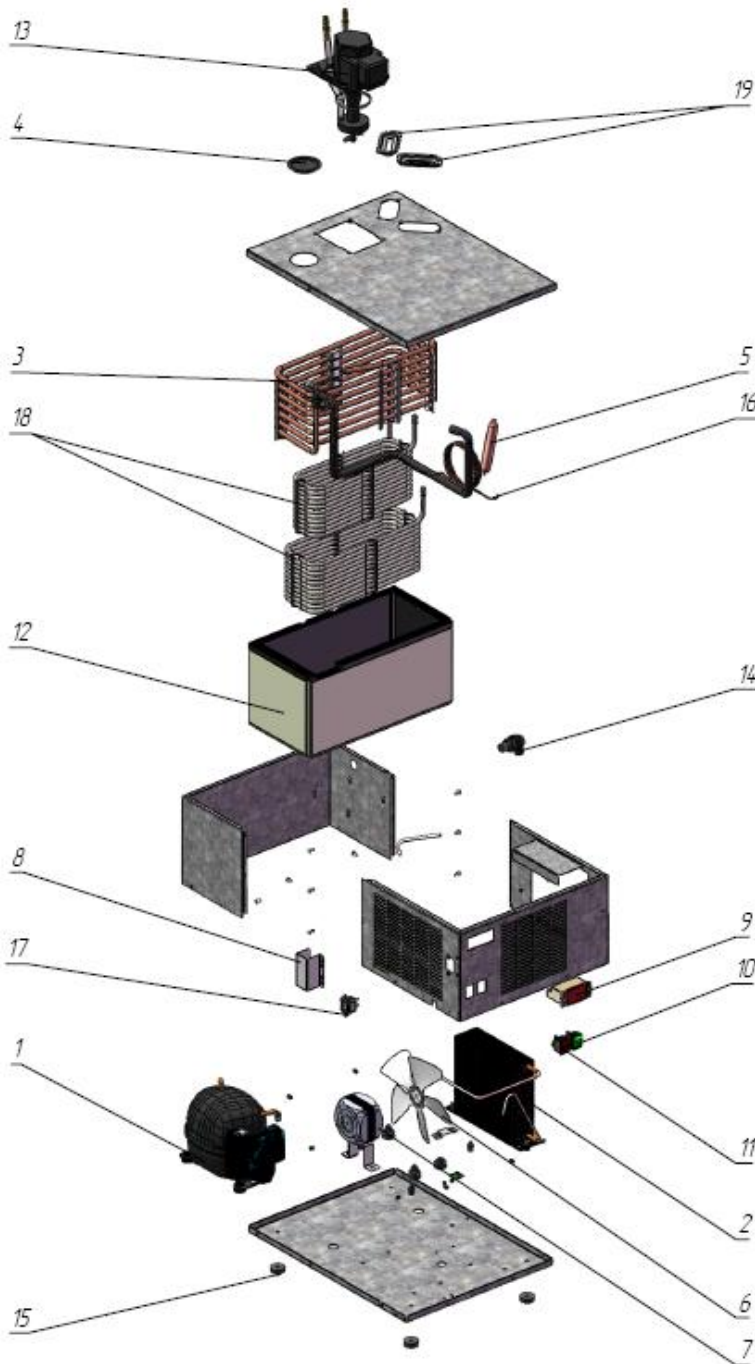
# Glycol Chiller Kalinka 2

## Wiring diagram



# Glycol Chiller Kalinka 2

## Parts



1	Compressor "TECUMSEH" THB4419YXA TH751AZ (115V, 60Hz)
2	Air condenser KARYER STFT 12218
3	Evaporator
4	Cap
5	Drier -filter "BVB" GR-15 6,1/2,5 d19; L=11
6	Impeller Ø200, $\alpha = 28^\circ$
7	Electric motor "EBM" M4Q045-BD-03-04 (115V, 60Hz)
8	Protective casing
9	Terminal block Dixell XR02CX-4N0F1 (115V/60 Hz 20A)
10	Power switch C6053AL Green 125V 20A UL CSA 20A 277Vac 250Vac 1 1/2hp, 125Vac1hp UL 100*C, file E45221, CSA
11	Power switch C6053ALNBN T.BLACK 1 RED 110V EN1197 WHITE
12	Glycol bath
13	Glycol pump "Totton" SPC 17/4, 115V/60Hz
14	Overflow
15	Foot
16	Throttle
17	Connector R302SN 250V 10A
18	Heat exchanger
19	Pad