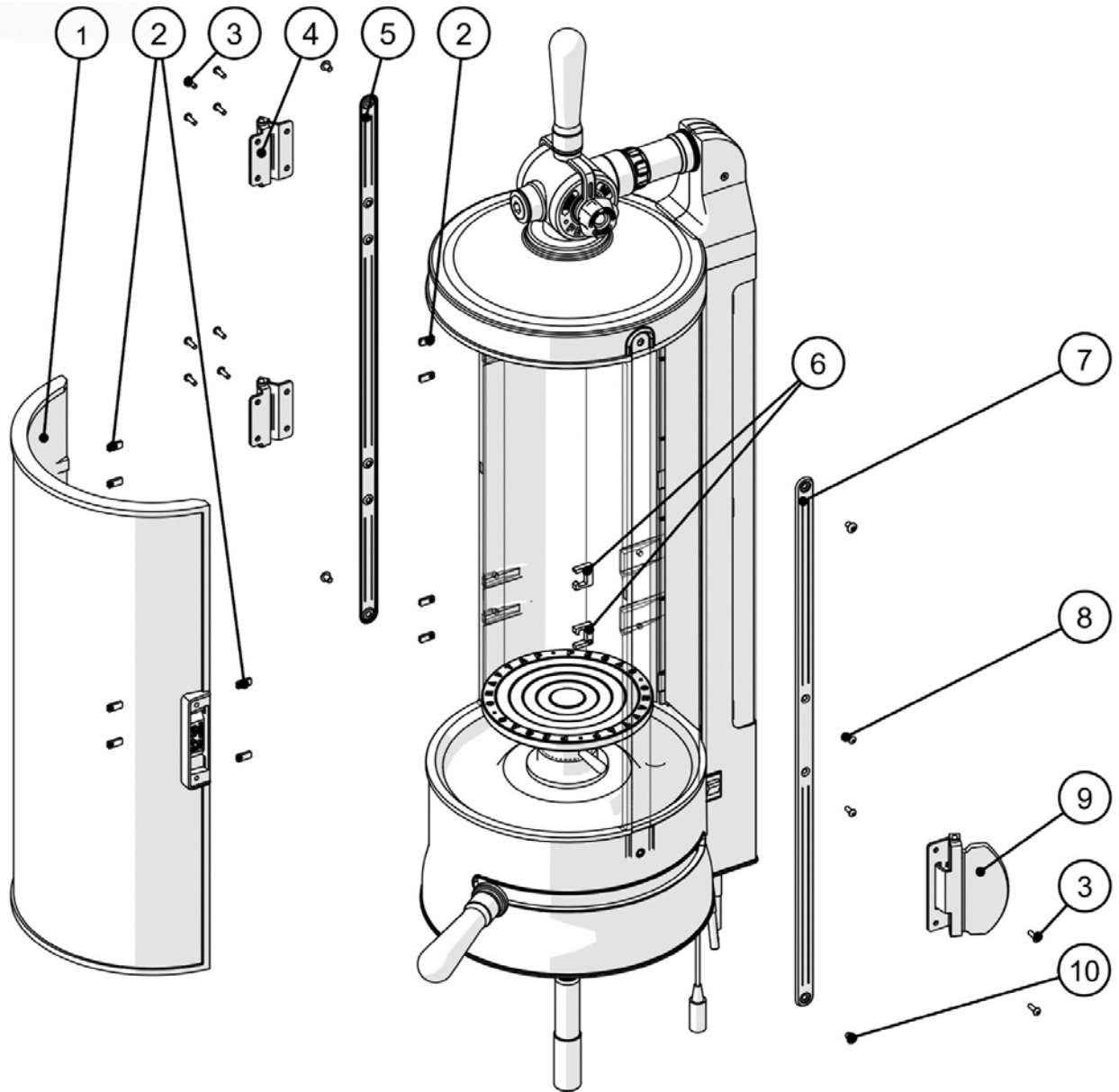
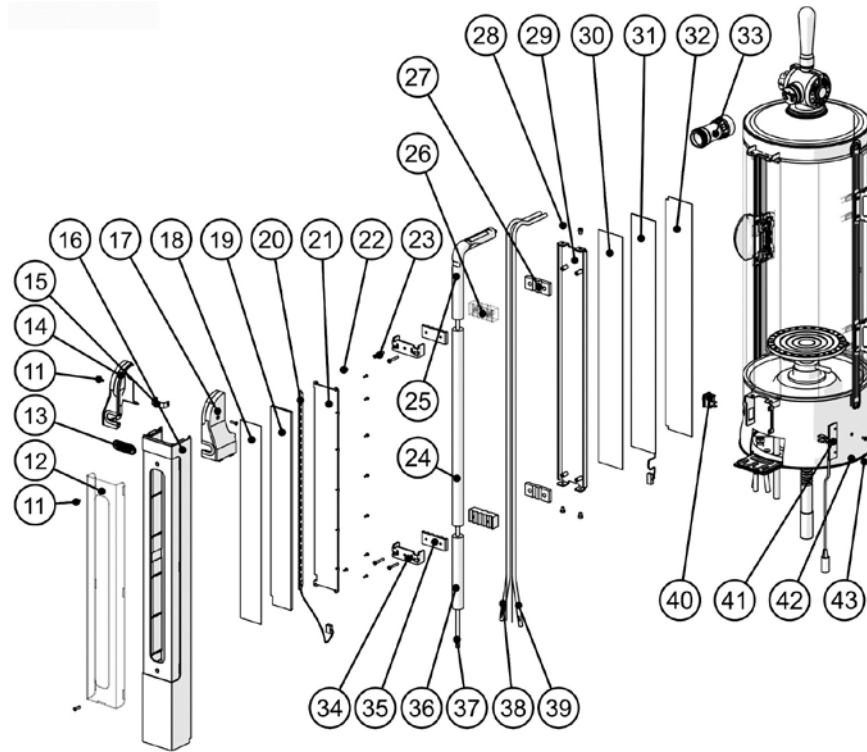


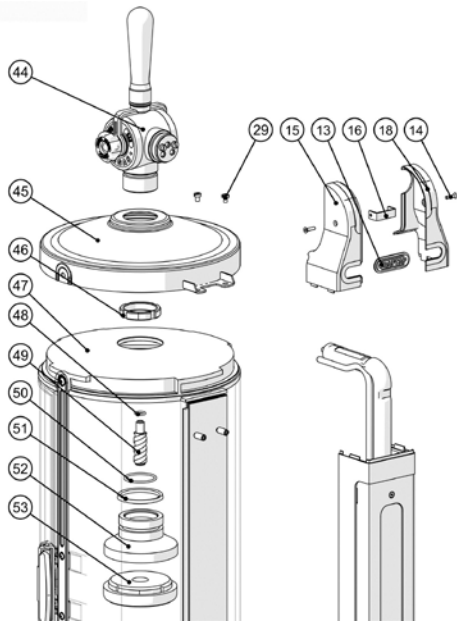
## PEGAS CraTap 3.0



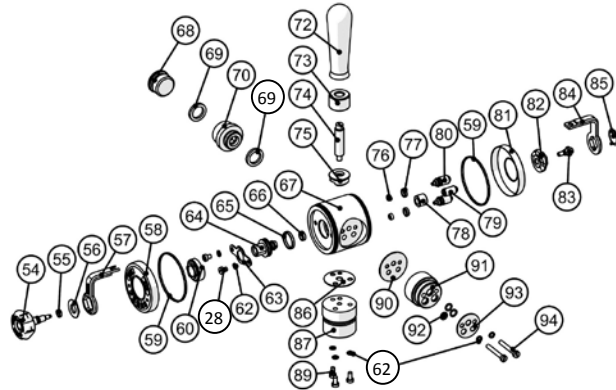
№	Part name	Part number
	PEGAS CraTap 3.0	132900
1	Door	132004
2	Cage nut	132002
3	Screw M3x10	132003
4	Loop	132001
5	Left tie	132005
6	Hitch	132006
7	Right tie	132007
8	Screw M3x8	132008
9	Handle lock	132009
10	Screw M4x6	132010



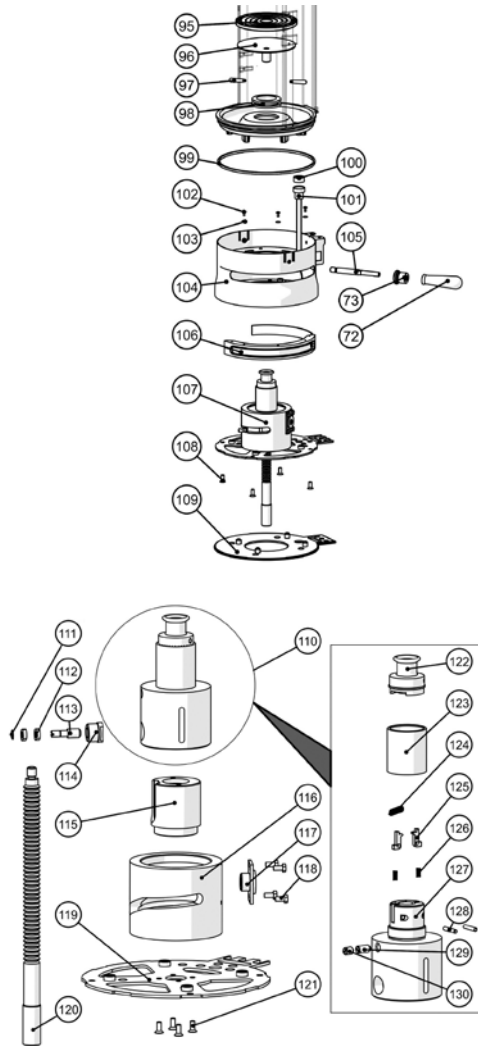
№	Part name	Part number
11	Screw	132011
12	Outside glass	132012
13	CrafTap label	132013
14	Right cover	132014
15	Bracket	132015
16	Back cover	132016
17	Left cover	132017
18	Light scattering film	132018
19	Glass	132019
20	Back LED panel	132020
21	Panel	132047
22	Screw M2,2x6,5	132022
23	Screw M3x20	132023
24	Insulation	132024
25	Insulation	132025
26	Intermediate block	132026
27	Inner block	132027
28	Screw M4x5	132028
29	Back tie	132029
30	Strip	132030
31	Front LED panel	132031
32	Glass	132032
33	Tube cover	132033
34	Clamping bracket	132034
35	Outer block	132035
36	Insulation	132036
37	Beverage tube	132037
38	Drainage tube	132038
39	CO2 tube	132039
40	Switch ON/OFF	132040
41	Commutation panel	132041
42	Washer	127002
43	Screw M3	132043



№	Part name	Part number
44	Filling mechanizm	132044
45	Hood	132045
46	Nut M35	132046
47	Body	132021
48	O-ring	132048
49	Beer flow screw	132049
50	O-ring	132050
51	Gasket	132051
52	Hub	132052
53	Gasket	132053



№	Part name	Part number
54	Pressure flow valve	132054
55	O-ring	132055
56	Silicone cap	132056
57	Bracket	132057
58	Cap	132058
59	O-ring	132059
60	Stopper	132060
62	Washer	127014
63	Lock washer	132063
64	Pressure flow valve hub	132064
65	O-ring	132065
66	O-ring	132066
67	Body	132067
68	Decorative screw plug	132068
69	Gasket	101012
70	Spout	132070
72	Handle	132072
73	Lock nut	132073
74	Lever	132074
75	Bonnet	132075
76	O-ring	132076
77	O-ring	132077
78	Ball plunger hub	132078
79	Ball plunger	131038
80	Valve	132080
81	Cap	132081
82	Cam	132082
83	Cam pin	132083
84	Bracket	132084
85	Silicone cap	132085
86	Gasket	132086
87	Shank	132087
89	Screw M4	127022
90	Gasket	132090
91	Shank	132091
92	O-ring	131025
93	Washer	132093
94	Screw M4	132094



№	Part name	Part number
95	Substrate	132095
96	Base	132096
97	Handle	132097
98	Washer	132098
99	O-ring	132099
100	Gasket	132100
101	Drainage tube	132101
102	Screw M3	132102
103	Washer	132103
104	Base	132104
105	Screw	132105
106	Rim	132106
107	Bottle fixing mechanizm	132107
108	Screw M6	132108
109	Bottom gasket	132109
110	Hub assembly	132110
111	Washer	132111
112	Slider	132112
113	Slider pin	132113
114	Hub	132114
115	Bushing	132115
116	Rotating hub	132116
117	Flange	132117
118	Screw M5	132118
119	Botton	132119
120	Rod	132120
121	Screw M5	120018
122	Ram	132122
123	Clamping hub	132123
124	Spring	132124
125	Hook	132125
126	Spring	132126
127	Bushing	132127
128	Pin	132128
129	Ball plunger	132129
130	Screw M8	132130

№	Part name	Part number
131	Power supply adapter	132131
132	Adapters set	132132
136	Nut M8	118021
137	Washer	132137
138	Pin	118019
139	Adapter 3/8-1/4 JG PI201208S	132139
140	Adapter 1/2-3/8 JG PI201612S	132140
141	Stem to hose barb JG PI251210S, 3/8-5/16	132141
Additional parts		
142	Special wrench	132142

