

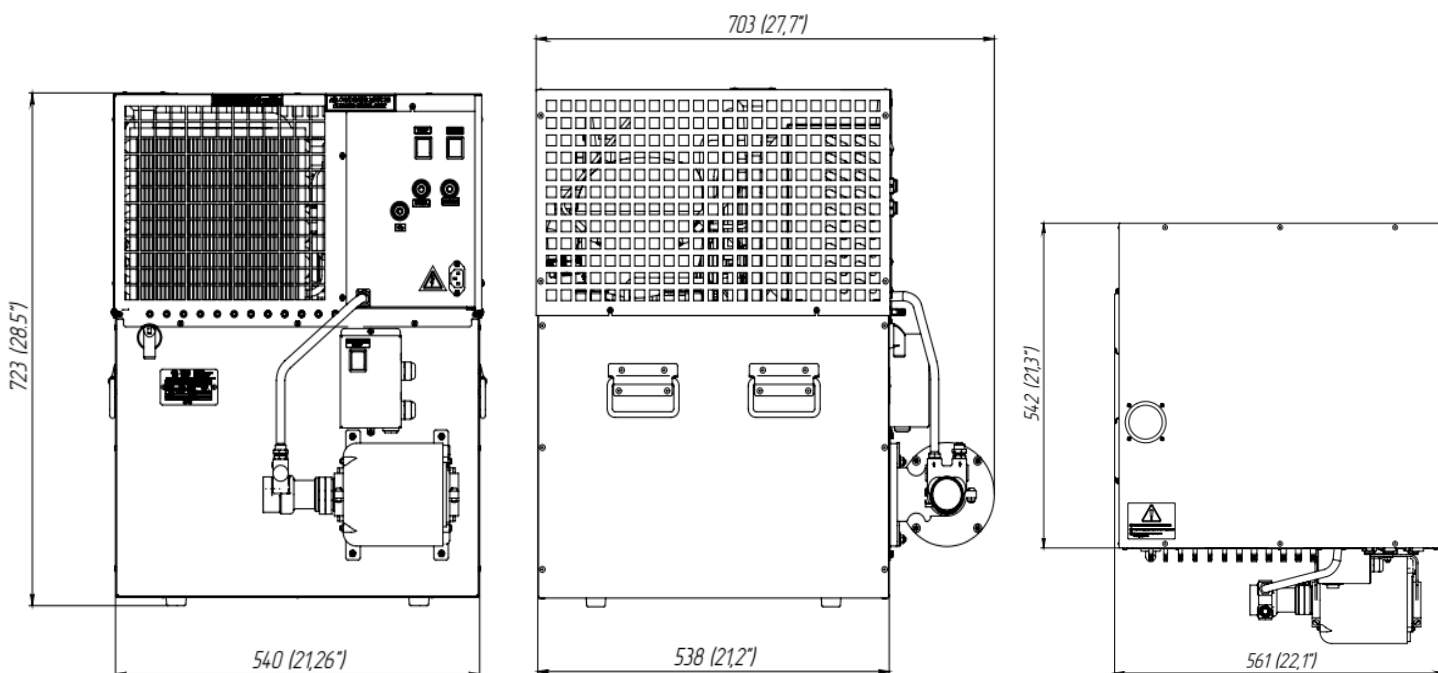
Carbo-chill S-600 (1/2 HP)

Specifications



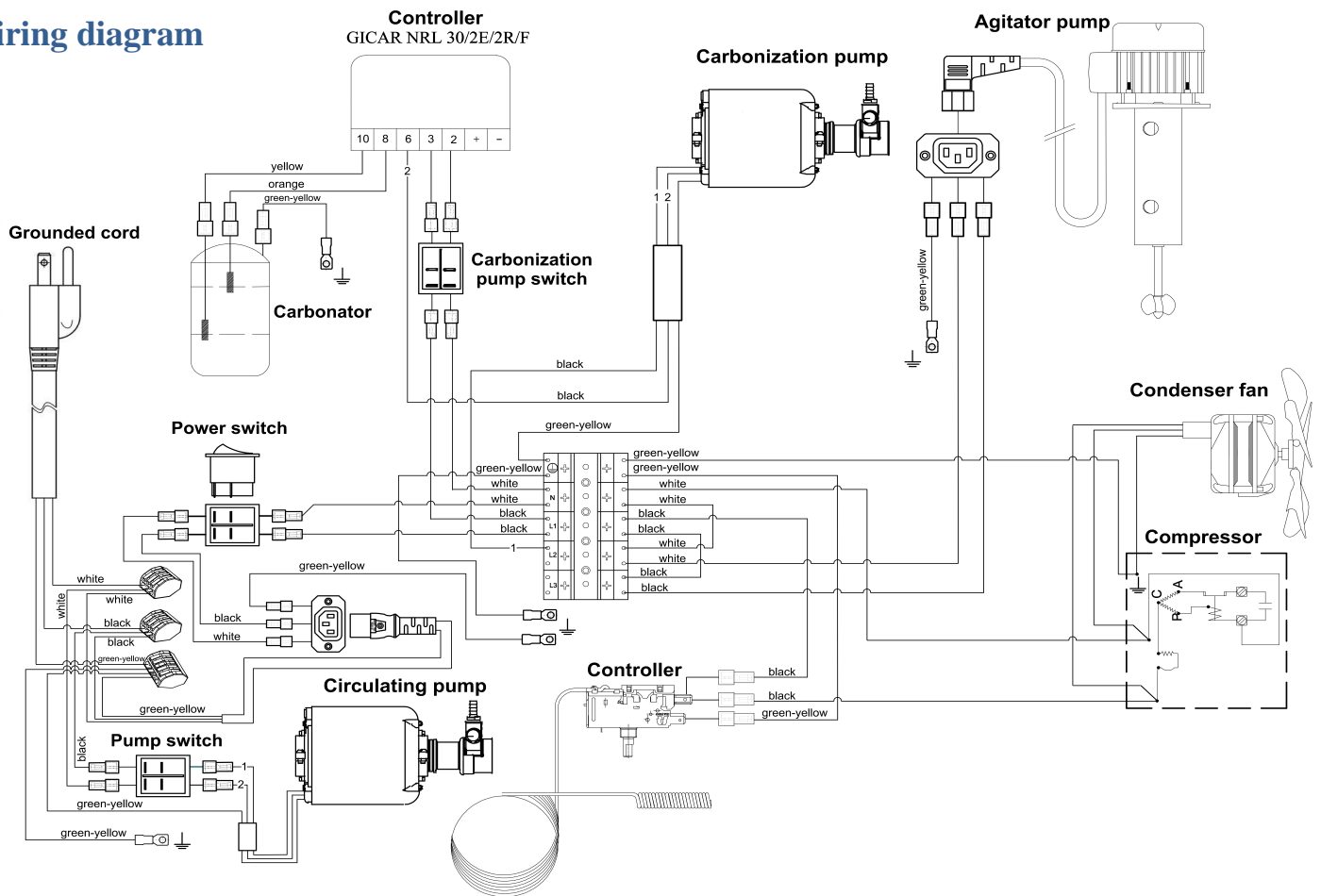
Internal Number	156.00.000.00-03
Part Number	S600-1/2T6
Voltage, V / frequency, Hz	115V / 60Hz
Current, A	9,8
Water tank volume, gal	18
Ice bank, lb	78,5
Compressor Power, hp	1/2
Pump-mixer Type	Vertical
Refrigerant	R134a
Width, in	22.1
Depth, in	27.7
Height, in	28.5
Weight Gross/Net, lb	--- /159.6
Power cord length, ft	8
Pressure of supplied water / syrups, bar	4,1
Pressure CO ₂ applied to the carbonator, bar	5,2
Operating ambient temperature, F	60-90
Product outlet temperature, F	33.8-40
Number of product coils, pcs	1-6
Clearance at least	12" around the entire unit
Maximum Distance, in	up to 15"

Overall dimensions

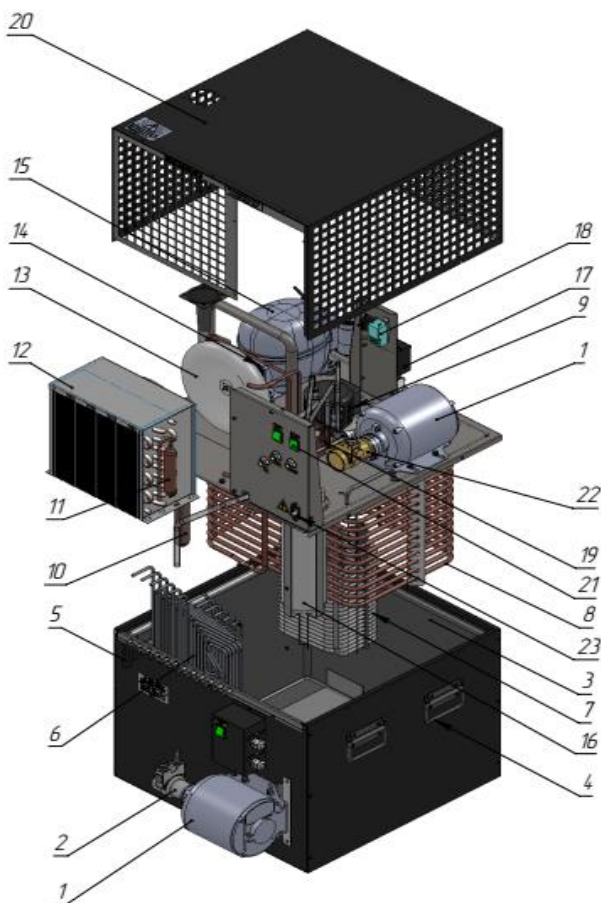


Carbochill S-600 (1/2 HP)

Wiring diagram



Parts



1	Electromotor 5KH32FN5586MX Motors
2	Pump recycling Fluid-o-Tech PA2501 (permissible replacement: "PROCON", model 113050F34XX)
3	Bath
4	Handle
5	Overflow
6	Heat exchangers for syrups
7	Water heat exchangers
8	Evaporator
9	Pump-mixer "Saber" SK-20"
10	Boiling refrigerant - battery d 30x200 mm 8,1x10,1 2A
11	Filter drier "BVB" GR 30-6,1x3,1
12	Air condenser "KARYER" B-17210 copper-aluminum
13	Impeller D230мм, 28° (тип "V")
14	Fan electric motor "ELCO" NU 9-20-2/094 , UL
15	Compressor "EMBRACO" NEU 6214Z
16	Carbonator ODL G-410272
17	Controller level GICAR NRL30 / 2E / 2R / F
18	Thermostat "RANCO" K50H2005003
19	Throttle
20	Cap
21	Switch C6053AL Green 125V 20A
22	Pump carbonated "PROCON", model 111A100F11AA
23	Electric socket IEC 320-C14